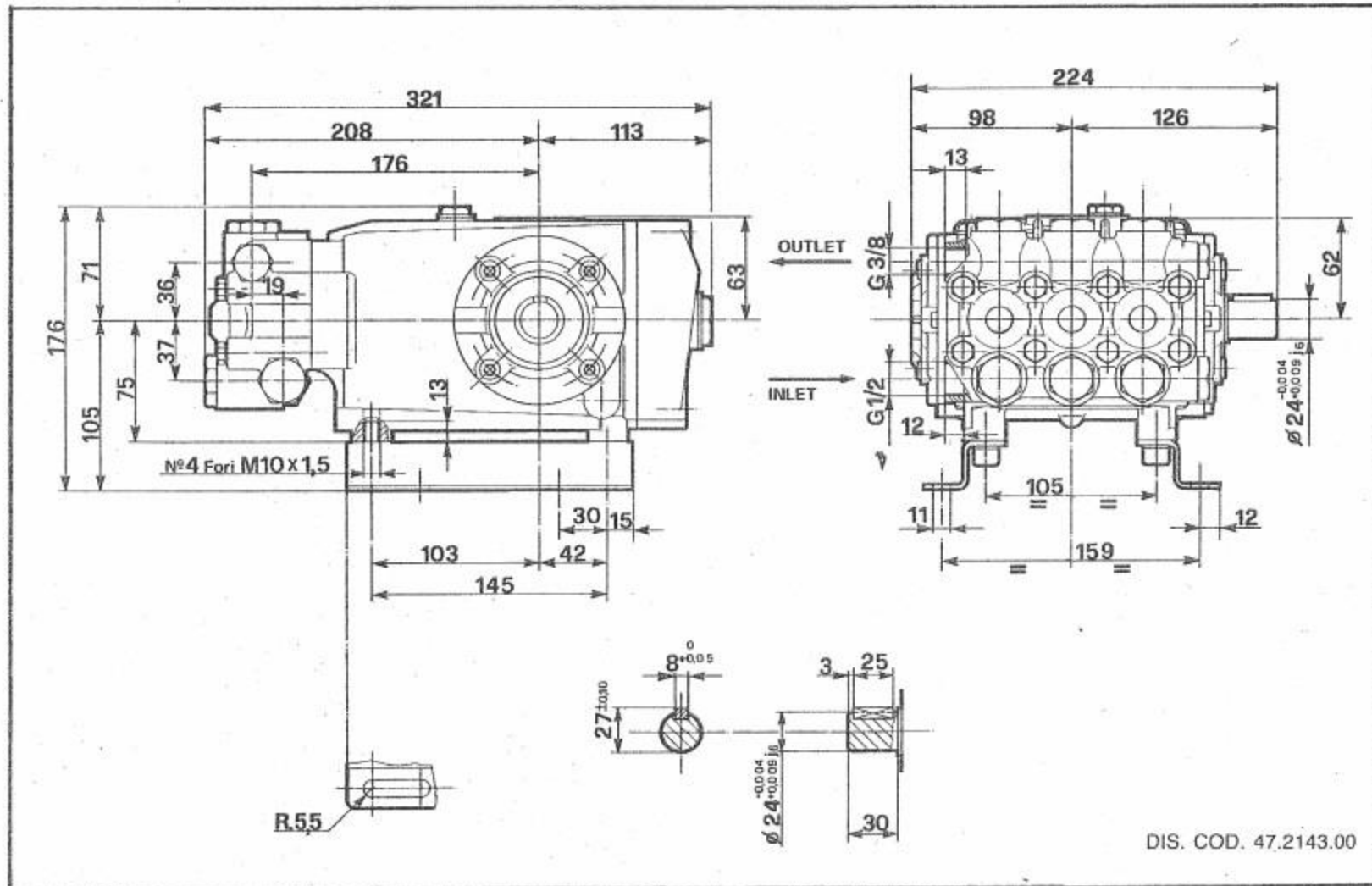


OVERALL DIMENSIONS

外型尺寸



DIS. COD. 47.2143.00

LUBRICATION: We recommend INTERPUMP OIL X-9.9. (SAE 15W40 Mineral) - OIL CAPACITY / 1.2

润滑: 我们建议您使用INTERPUMP OIL X-9.9 (SAE 15W40 Mineral) 加油量1.2L

Cod. 47.2235.03 - 01/07 - 5.000 DePietri

REVISIONE N. 4

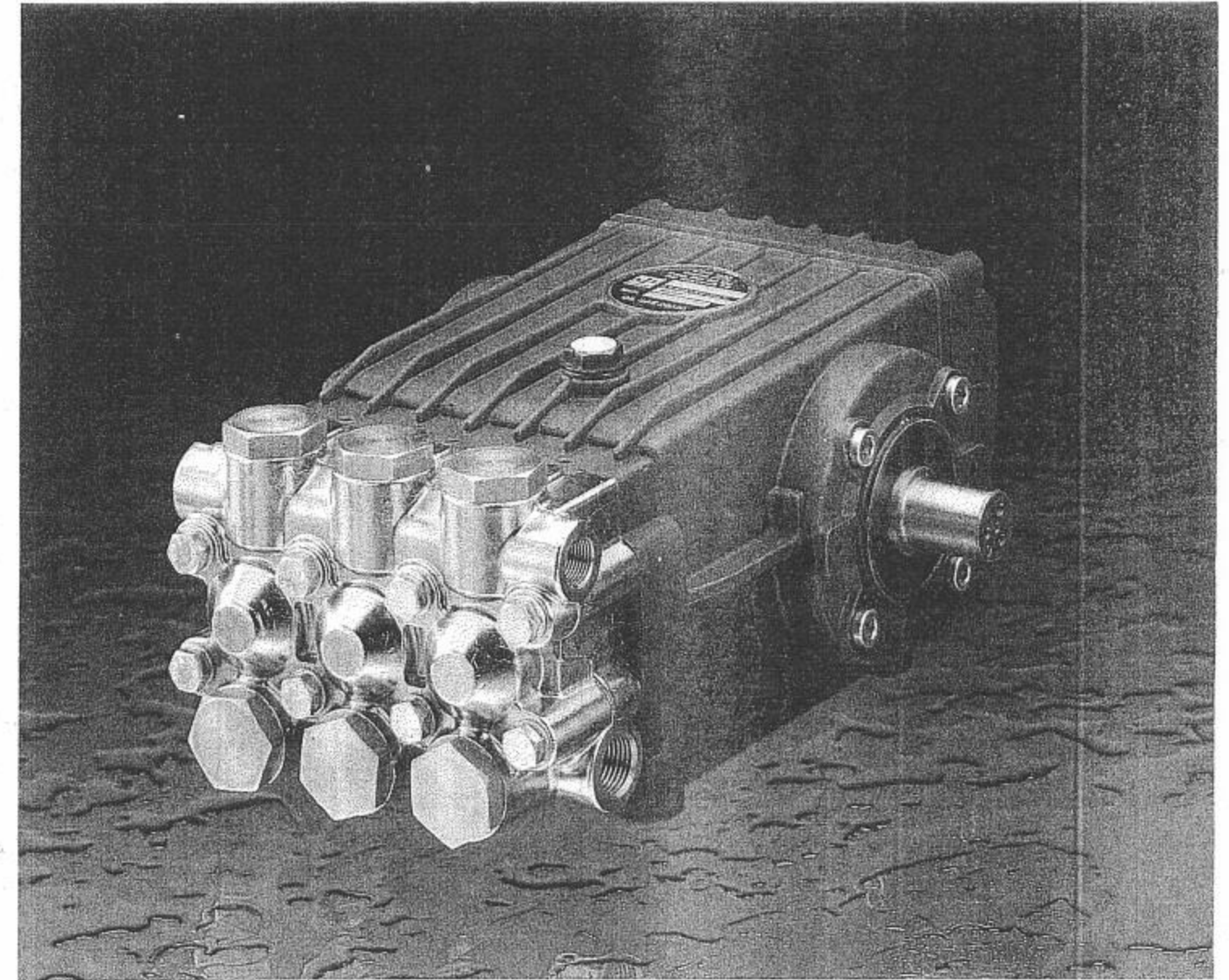


INTERPUMP GROUP



PUMP

WS162 - WS201



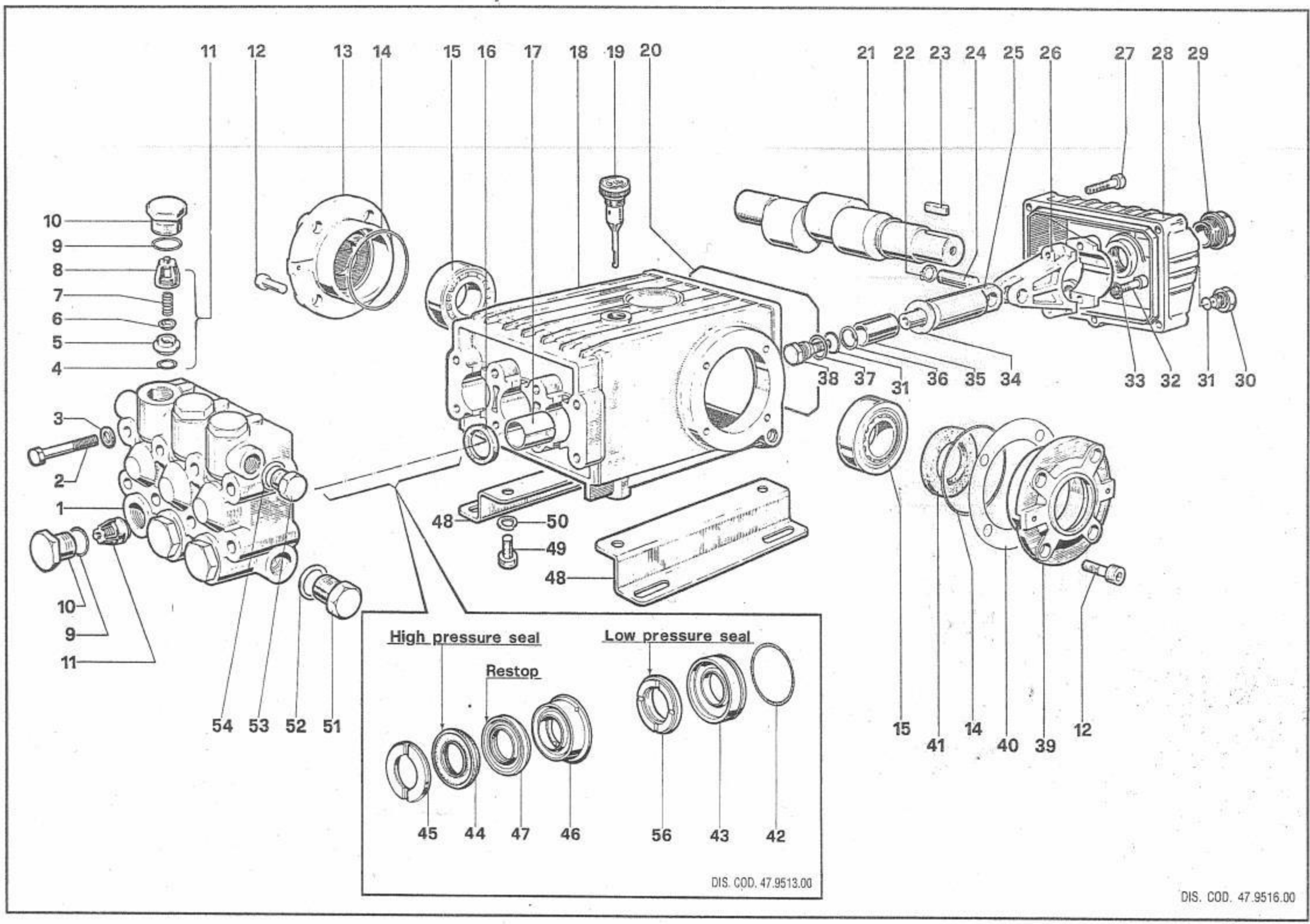
Pump type 泵型号	Volume 流量		Pressure 压力		r.p.m. 转速	Required 输入功率	Weight 重量
	l/min	G.P.M. (USA)	bar	p.s.i.		Hp / kW	kg.
WS162	18	4.75	160	2320	1450	7.5 / 5.51	14.5
WS201	15	3.96	200	2900			

INTERPUMP GROUP



42040 S. ILARIO - REGGIO EMILIA (ITALY)  
TEL. +39 - 522 - 904311  
TELEFAX +39 - 522 - 904444  
E-mail: interpump.group @ interbusiness.it





KIT N.	KIT 1	KIT 2	KIT 3	KIT 5	KIT 6
Positions included 包含	4-5-6-7 8-(11)	16	41	9-10	31-34-36 37-38
N. pcs.	6	3	2	6	3

WS 201	KIT 7	KIT 69	KIT 71	KIT 10	KIT 28
	45	44-47 56	46-47	42-43	42-43-44-45 46-47-56
	6	3	3	3	1

WS 162	KIT 11	KIT 148	KIT 149	KIT 14	KIT 29
	45	44-47 56	46-47	42-43	42-43-44-45 46-47-56
	6	3	3	3	1

POS.	CODE	DESCRIPTION	说明	N. PCS.
1	47.1202.41	Testata Nickel	镍铸造	1
2	99.3206.00	Vite M8x70 UNI 5737	螺栓	8
3	96.7020.00	Rosetta Ø 8 UNI 1736	垫圈	8
4	90.3841.00	OR Ø 17,13x2,62	○型圈	KIT 1 6
5	36.2003.66	Sede valvola	阀座	KIT 1 6
6	36.2001.76	Valvola	阀	KIT 1 6
7	94.7376.00	Molla Ø m 9,4x14,8	弹簧	KIT 1 6
8	36.2002.51	Guida valvola	导向阀	KIT 1 6
9	90.3847.00	OR Ø 20,24x2,62	○型圈	KIT 5 6
10	98.2222.00	Tappo M24x2x16 spec. NK	螺塞	KIT 5 6
11	36.7032.01	Gruppo valvola	阀单元	KIT 1 6
12	99.3039.00	Vite M8x16 UNI 5931	螺栓	8
13	47.1501.22	Coperchio Carter	曲轴箱端盖	1
14	90.3913.00	OR Ø 67,95x2,62	○型圈	2
15	91.8375.00	Cuscinetto a rulli 32206	滚子轴承	2
16	90.1625.00	Anello Radiale Ø 22x32x5,5	油封	KIT 2 3
17	90.9126.00	Boccola Ø 22x25x30	衬套	3
18	47.0100.22	Carter	曲轴箱	1
19	98.2106.00	Tappo carico olio G 3/8	油标螺塞	1
20	90.3922.00	OR Ø 133,02x2,62	○型圈	1
21	47.0206.35	Albero - semplice P. di F.	曲轴	1
22	90.0557.00	Anello di fermo	卡簧	6
23	91.4878.00	Linguetta	键	1
24	97.7380.00	Spinotto Ø 13x35	销子	3
25	47.0503.56	Guida pistone	柱塞导向	3
26	47.0300.01	Biella completa	连杆	3
27	99.1912.00	Vite M6x30 UNI 5931	螺栓	5

POS.	CODE	DESCRIPTION	说明	N. PCS.
28	47.1601.22	Coperchio carter	曲轴箱盖	1
29	97.5968.00	Spia olio G 3/4	油标	1
30	98.2041.00	Tappo G 1/4x9	螺塞	1
31	98.3585.00	OR Ø 10,82x1,78	○型圈	KIT 6 4
32	99.3099.00	Vite M8x35 UNI 5931	螺栓	6
33	96.7014.00	Rosetta Ø 8,4x13x0,8	垫圈	6
34	96.7286.00	Rosetta Ø 14x28x0,5	垫圈	KIT 6 3
35	* * *	See Table A - Ved. Tab. A		
36	90.5067.00	Anello per OR	止回环	KIT 6 3
37	96.7280.00	Rosetta Ø 14x18,5x0,5	垫圈	KIT 6 3
38	47.2195.66	Vite fissaggio pistone	柱塞螺塞	KIT 6 3
39	47.1500.22	Coperchio carter	曲轴箱盖	1
40	97.5678.00	Spessore	薄片	2
41	90.1648.00	Anello radiale Ø 30x55x7	油封	KIT 3 1
42	90.3616.00	OR Ø 34,65x1,78	○型圈	KIT 10-14-28-29 3
43	* * *	See Table A		
44	* * *	See Table A		
45	* * *	See Table A	参考表A	
46	* * *	See Table A		
47	* * *	See Table A		
48	47.2000.74	Piedino	底脚	2
49	99.3644.00	Vite M10x18 UNI 5931	螺栓	4
50	96.7106.00	Rosetta Ø 10 DIN 7980	垫圈	4
51	98.2176.00	Tappo G 1/2x10	螺塞	1
52	96.7514.00	Rosetta Ø 21,5x27x1,5	垫圈	1
53	98.2100.00	Tappo G 3/8x13	螺塞	1
54	96.7380.00	Rosetta Ø 17,5x23x1,5	垫圈	1

WS 201	POS.	CODE-CODICE	DESCRIPTION-DESCRIZIONE	N. PCS.
	35	47.0404.09	Pistone Ø 20 柱塞	3
	43	47.0805.70	Anello di fondo Ø 20 高压环	KIT 10-28 3
	44	90.2705.00	Anello di tenuta Ø 20 H.P. seal	KIT 28-69 3
	45	47.1000.51	Anello testa Ø 20 第一环	KIT 7-28 3
	46	47.2169.70	Anello intermedio Ø 20 中间环	KIT 28-71 3
	47	90.2704.00	Anello "RESTOP" Ø 20 高压环	KIT 28-69-71 3
	56	90.2710.00	Anello tenuta Ø 20 L.P. seal	KIT 28-69 3

TAB. A

WS 162	POS.	CODE-CODICE	DESCRIPTION-DESCRIZIONE	N. PCS.
	35	47.0405.09	Pistone Ø 22 柱塞	3
	43	47.0806.70	Anello di fondo Ø 22 高压环	KIT 14-29 3
	44	90.2725.00	Anello di tenuta Ø 22 H.P. seal	KIT 29-148 3
	45	46.1000.51	Anello testa Ø 22	KIT 11-29 3
	46	47.2170.70	Anello intermedio Ø 22 中间环	KIT 29-149 3
	47	90.2730.00	Anello "RESTOP" Ø 22 高压环	KIT 29-148-149 3
	56	90.2728.00	Anello tenuta Ø 22 L.P. seal	KIT 29-148 3