

KIT N.	KIT 1	KIT 2	KIT 3	KIT 5	KIT 6	KIT 7	KIT 69	KIT 71	KIT 10	KIT 28
Position Included Posizioni incluse	4-5-6-7 8-(11)	16	41	9-10	31-34-36 37-38	45	44-47 56	46-47	42-43	42-43-44 45-46-47-56
N. pcs.	6	3	2	6	3	6	3	3	3	1

POS.	CODE	DESCRIPTION	说明	N. PCS.
1	47.1202.41	Testata Nichel	镍铸造	1
2	99.3206.00	Vite M8x70 UNI 5737	螺栓	8
3	96.7020.00	Rosetta Ø 8 UNI 1736	垫圈	8
4	90.3841.00	OR Ø 17,13x2,62	○型圈	KIT 1 6
5	36.2003.66	Sede Valvola	阀座	KIT 1 6
6	36.2001.76	Valvola	阀	KIT 1 6
7	94.7376.00	Molla Ø m9,4x14,8	弹簧	KIT 1 6
8	36.2002.51	Guida Valvola	导向阀	KIT 1 6
9	90.3847.00	OR Ø 20,24x2,62	○型圈	KIT 5 6
10	98.2222.00	Tappo M24x2x16 spec.	螺塞	KIT 5 6
11	36.7032.01	Gruppo Valvola	阀单元	KIT 1 6
12	99.3039.00	Vite M8x16 UNI 5931	螺栓	8
13	47.1501.22	Coperchio Carter	曲轴箱端盖	1
14	90.3913.00	OR Ø 67,95x2,62	○型圈	2
15	***	See Table A - Ved. Tab.		
16	90.1625.00	Anello Radiale Ø 22x32	油封	KIT 2 3
17	90.9126.00	Boccola Ø 22x25x30	衬套	3
18	***	See Table A - Ved. Tab.		
19	98.2106.00	Tappo carico olio G 3/8	油标螺塞	1
20	90.3922.00	OR Ø 133,02x2,62	○型圈	1
21	***	See Table A - Ved. Tab.		
22	90.0557.00	Anello di fermo	卡簧	6
23	91.4878.00	Linguetta	键	1
24	97.7380.00	Spinotto Ø 13x35	销子	3
25	47.0503.56	Guida Pistone	柱塞导向	3
26	47.0300.01	Biella completa	连杆	3
27	99.1912.00	Vite M6x30 UNI 5931	螺栓	5
28	47.1601.22	Coperchio carter	曲轴箱盖	1

POS.	CODE	DESCRIPTION	说明	N. PCS.
29	97.5968.00	Spia livello olio G 3/4	油标	1
30	98.2041.00	Tappo G 1/4x9	螺塞	1
31	90.3585.00	OR Ø 10,82x1,78	○型圈	KIT 6 4
32	99.3099.00	Vite M8x35 UNI 5931	螺栓	6
33	96.7014.00	Rosetta Ø 8,4x13x0,8	垫圈	6
34	96.7286.00	Rosetta Ø 14x28x0,5	垫圈	KIT 6 3
35	47.0404.09	Pistone Ø 20	柱塞	3
36	90.5067.00	Anello per OR	止回环	KIT 6 3
37	96.7280.00	Rosetta Ø 14x18,5x0,5	垫圈	KIT 6 3
38	47.2195.66	Vite fissaggio pistone	柱塞螺丝	KIT 6 3
39	47.1500.22	Coperchio carter	曲轴箱盖	1
40	97.5678.00	Spessore	键	2
41	90.1648.00	Anello radiale Ø 30x55x7	油封	KIT 3 1
42	90.3616.00	OR Ø 34,65x1,78	○型圈	KIT 10-28 3
43	47.0805.70	Anello di fondo Ø 20	耐久密封圈	KIT 10-28 3
44	90.2705.00	Anello tenuta H.P. Seal	高压密封环	KIT 28-69 3
45	47.1000.51	Anello testa Ø 20	第一环	KIT 7-28 3
46	47.2169.70	Anello intermedio Ø 20	中间环	KIT 28-71 3
47	90.2704.00	Anello "Restop" Ø 20	停止环	KIT 28-69-71 3
48	47.2000.74	Piedino	底脚	2
49	99.3644.00	Vite M10x18 UNI 5931	螺栓	4
50	96.7106.00	Rosetta Ø 10 DIN 7980	垫圈	4
51	98.2176.00	Tappo G 1/2x10	螺塞	1
52	96.7514.00	Rosetta Ø 21,5x27x1,5	垫圈	1
53	98.2100.00	Tappo G 3/8x13	螺塞	1
54	96.7380.00	Rosetta Ø 17,5x23x1,5	垫圈	1
56	90.2710.00	Anello tenuta Ø 20 L. P. Seal	低压密封环	KIT 28-69 3

PUMP W916

POS.	CODE - CODICE	DESCRIPTION - DESCRIZIONE	N. PCS.
15	91.8375.00	Cuscinetto a rulli 32206 滚子轴承	2
18	47.0100.22	Carter 曲轴箱体	1
21	47.0206.35	Albero semplice P. di F. 曲轴	1

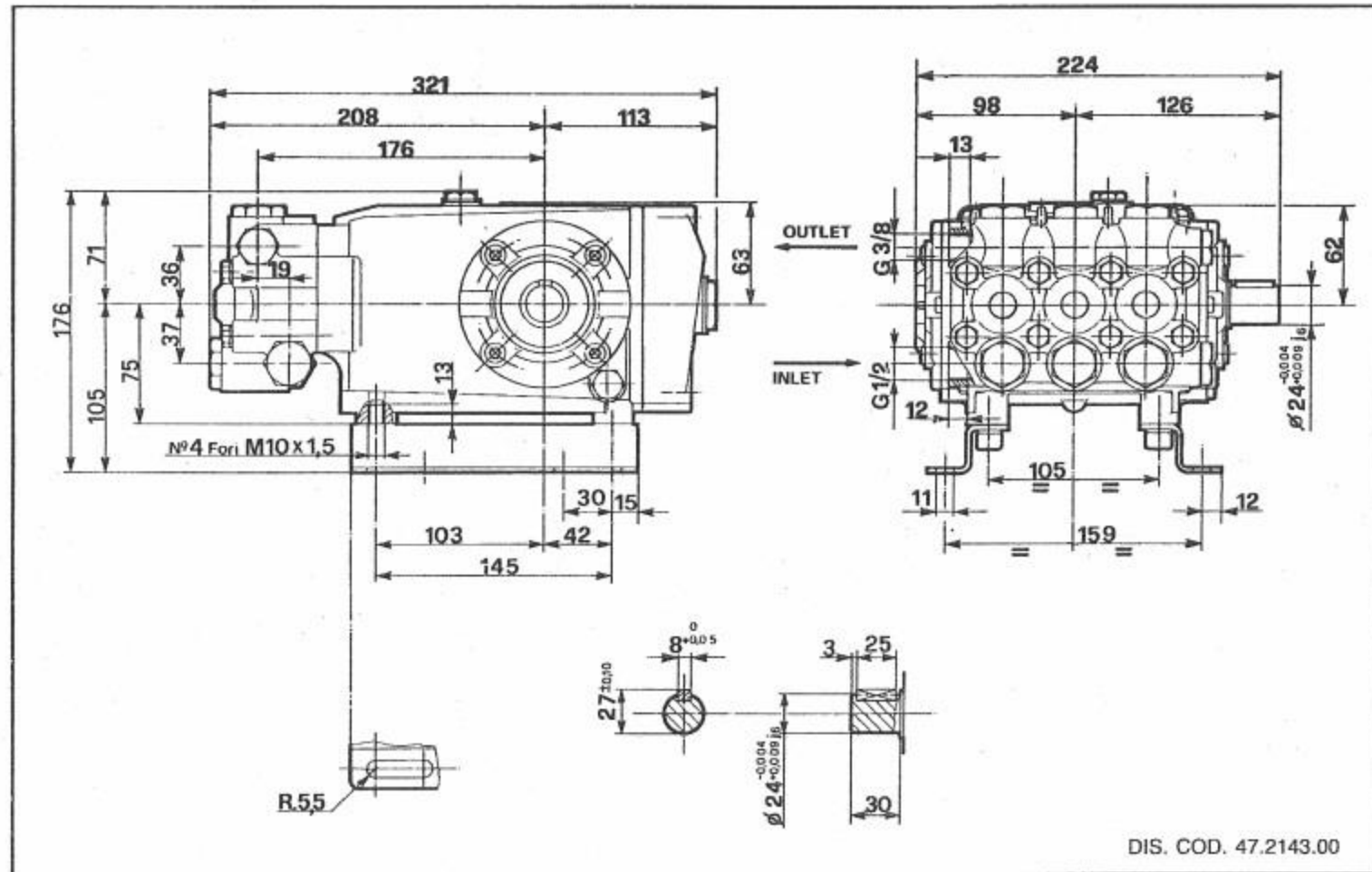
PUMPS WS152 - WS202 - W921

POS.	CODE - CODICE	DESCRIPTION - DESCRIZIONE	N. PCS.
15	91.8377.00	Cuscinetto a rulli 32206 滚子轴承	2
18	47.0102.22	Carter 曲轴箱	1
21	47.0204.35	Albero semplice P. di F. - WS152-202 曲轴	1
	47.0215.35	Albero semplice P. di F. - W921	1

TABLE A - TABELLA A

OVERALL DIMENSIONS

外型尺寸



LUBRICATION: We recommend INTERPUMP OIL X-9.9. (SAE 15W40 Mineral) - OIL CAPACITY / 1.2

润滑: 我们建议您使用INTERPUMP OIL-9.9 (SAE 15W40 Mineral) OIL 加油量1.2L

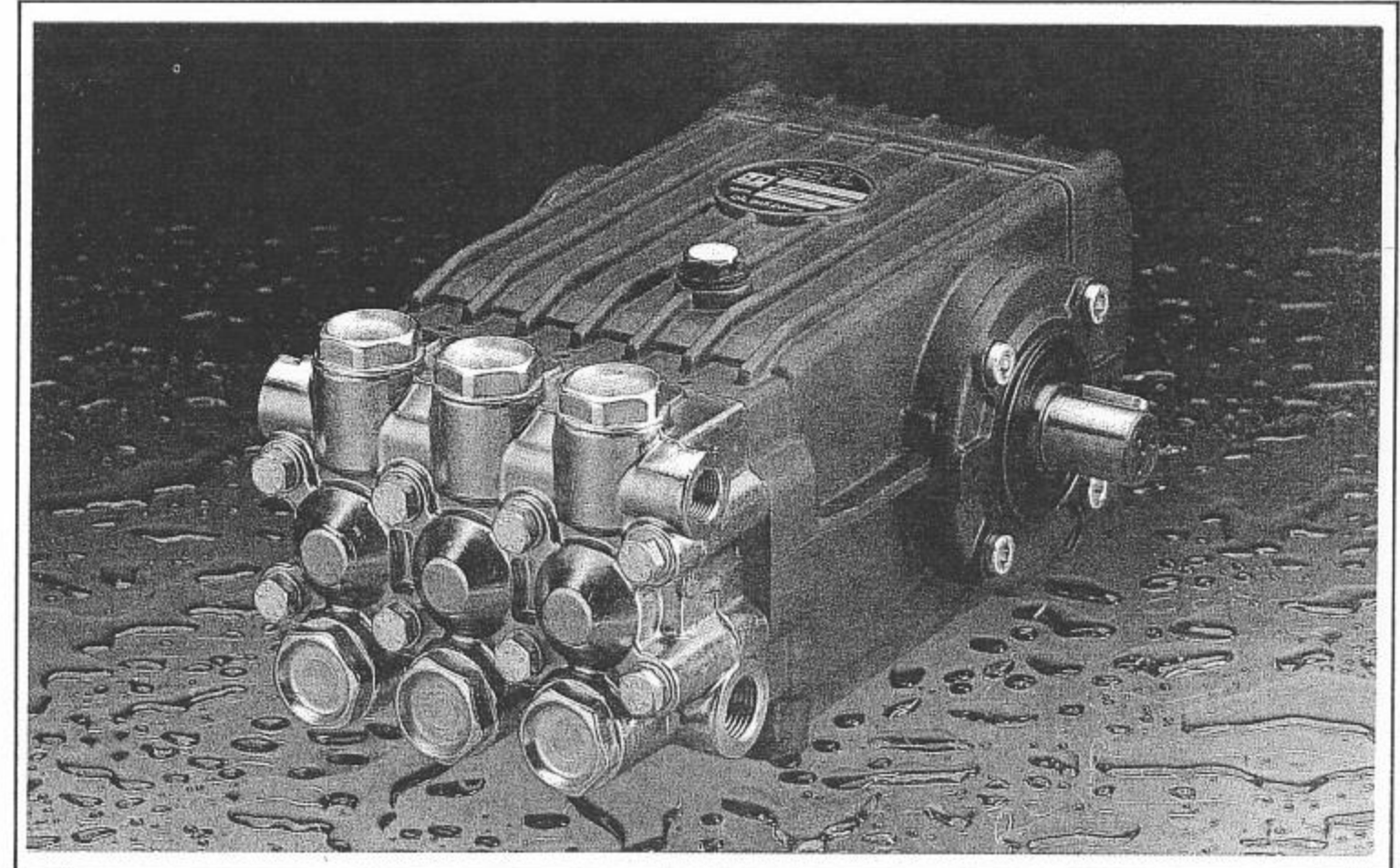
REVISIONE N. 4

Cod. 47.2236.03 - 02/07 - 2.000 De Pietri



PUMP

WS152 - WS202
W916 - W921



Pump type 泵型号	Volume 流量		Pressure 压力		r.p.m. 转速	Required 输入功率		Weight 重量
	l/min	G.P.M. (USA)	bar	p.s.i.		hp	kw	
WS152	21	5.55	150	2175	1450	7.5	5.51	14.5
WS202	21	5.55	200	2900		10	7.35	
W916	18	4.75	160	2320	1750	7.5	5.51	
W921	15	3.96	200	2900		7.5	5.51	

