

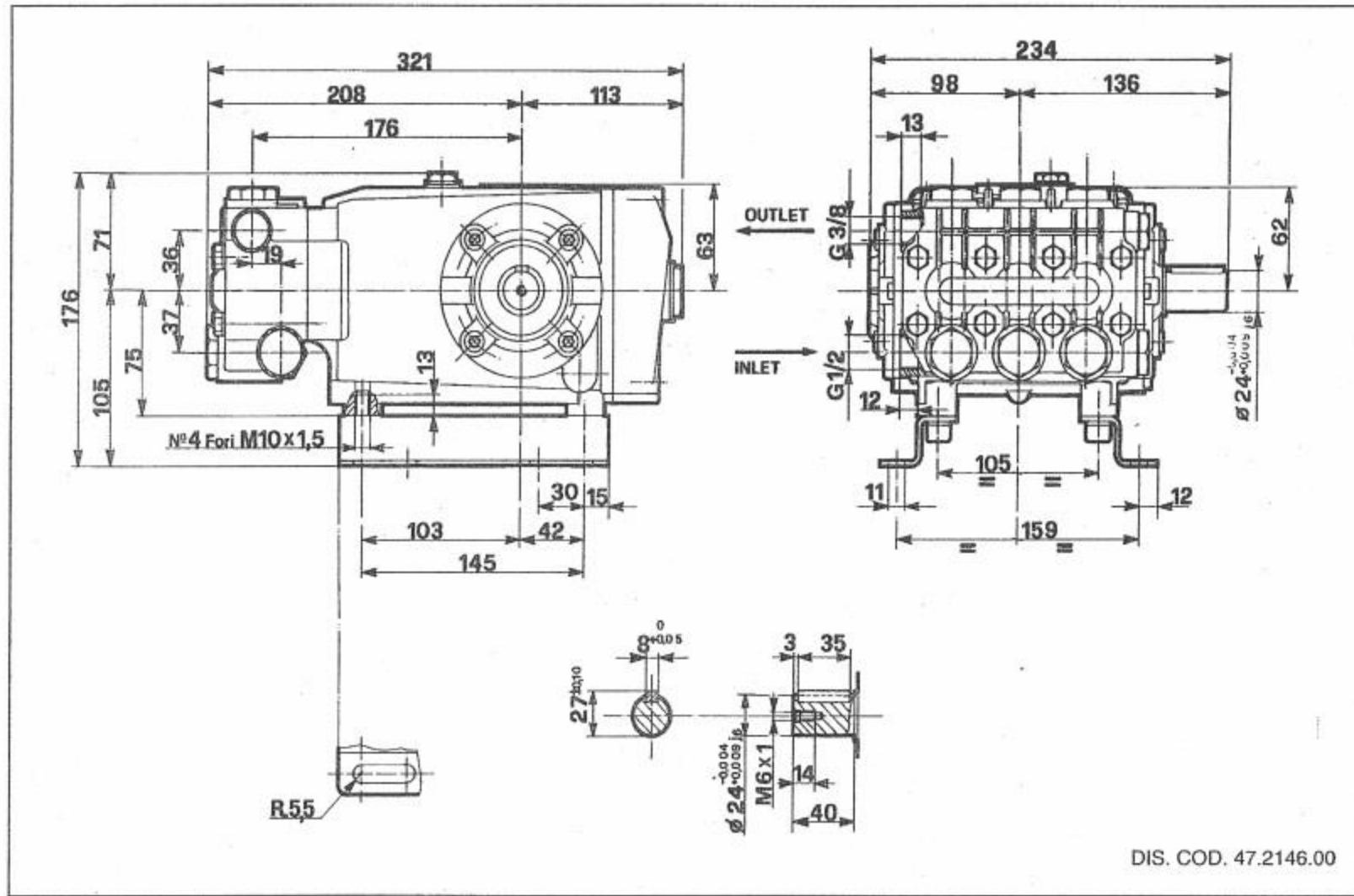
KIT N.	KIT 1	KIT 2	KIT 3	KIT 106	KIT 107	KIT 108	KIT 109	KIT 110	KIT 111	KIT 112
Positions Included	4-5-6 7-8 (11)	16	41	9-10	34-36 37-38	45	44-47 55	46	42-43	42-43 44-45 46-47 55
包含										
N. pcs.	6	3	2	6	3	6	3	3	3	1

POS.	CODE	DESCRIPTION	说明	N. PCS.
1	47.1214.41	Testata Nickel	镍铸造	1
2	99.3206.00	Vite M8x70 UNI 5737	螺栓	8
3	96.7020.00	Rosetta Ø 8 UNI 1736	垫圈	8
4	90.3841.00	OR Ø 17,13x2,62	○型圈	KIT 1 6
5	36.2003.66	Sede valvola	阀座	KIT 1 6
6	36.2001.76	Valvola	阀	KIT 1 6
7	94.7376.00	Molla Ø 9,4x14,8	弹簧	KIT 1 6
8	36.2002.51	Guida valvola	阀导向	KIT 1 6
9	90.3847.00	OR Ø 20,24x2,62	○型圈	KIT 106 6
10	98.2224.00	Tappo M 24x1,5x17,5 spec. HP	垫圈	KIT 106 6
11	36.7032.01	Gruppo valvola	阀单元	KIT 1 6
12	99.3039.00	Vite M8x16 UNI 5931	螺栓	8
13	47.1501.22	Coperchio carter	曲轴箱盖	1
14	90.3913.00	OR Ø 67,95x2,62	○型圈	2
15	91.8377.00	Cuscinetto a rulli conici	滚子轴承	2
16	90.1625.00	Anello Radiale Ø 22x32x5,5	油封	KIT 2 3
17	90.9126.00	Boccola Ø 22x25x30	衬套	3
18	47.0102.22	Carter	曲轴箱	1
19	98.2106.00	Tappo carico olio G 3/8	油标螺塞	1
20	90.3922.00	OR Ø 133,02x2,62	○型圈	1
21	47.0217.35	Albero	曲轴	1
22	90.0557.00	Anello di fermo	轴用挡圈	6
23	91.4890.00	Linguetta	键	1
24	97.7380.00	Spinotto Ø 13x35	柱塞销	3
25	47.0506.54	Guida pistone	柱塞导向	3
26	47.0300.01	Biella completa	连杆	3
27	99.1912.00	Vite M6x30 UNI 5931	螺栓	5

POS.	CODE	DESCRIPTION	说明	N. PCS.
28	47.1601.22	Coperchio carter	曲轴箱盖	1
29	97.5968.00	Spia olio G 3/4	螺塞	1
30	98.2041.00	Tappo G 1/4x9	螺塞	1
31	90.3585.00	OR Ø 10,82x1,78	○型圈	1
32	99.3099.00	Vite M8x35 UNI 5931	螺栓	6
34	47.2117.47	Anello di protezione	耐久密封环	KIT 107 3
35	47.0408.56	Pistone Ø 16	柱塞	3
36	90.5033.00	Anello per OR	密封环	KIT 107 3
37	90.3577.00	Rosetta Ø 7,66x1,78 - spec.	垫圈	KIT 107 3
38	47.2196.66	Vite fissaggio pistone	柱塞螺栓	KIT 107 3
39	47.1500.22	Coperchio carter	曲轴箱盖	1
40	97.5678.00	Spessore	薄垫片	2
41	90.1648.00	Anello radiale Ø 30x55x7	油封	KIT 3 1
42	90.3616.00	OR Ø 34,65x1,78	○型圈	KIT 111-112 3
43	47.0808.70	Anello di fondo Ø 16	密封环	KIT 111-112 3
44	90.2644.00	Anello tenuta Ø 16 L.P. seal	低压密封环	KIT 109-112 3
45	47.1003.51	Anello testa Ø 16	第一环	KIT 108-112 3
46	47.2172.70	Anello intermedio Ø 16	中间环	KIT 110-112 3
47	90.2643.00	Anello "RESTOP" Ø 16	限位环	KIT 109-112 3
48	47.2000.74	Piedino	底脚	2
49	99.3644.00	Vite M10x18 UNI 5931	螺栓	4
50	96.7106.00	Rosetta Ø 10 DIN 7980	垫圈	4
51	98.2176.00	Tappo G 1/2x10	螺塞	1
52	96.7514.00	Rosetta Ø 21,5x27x1,5	垫圈	1
53	98.2100.00	Tappo G 3/8x13	螺塞	1
54	96.7380.00	Rosetta Ø 17,5x23x1,5	垫圈	1
55	90.2642.00	Anello tenuta Ø 16 H.P. seal	高压密封环	KIT 109-112 3

OVERALL DIMENSIONS

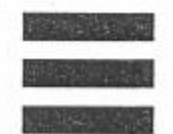
外型尺寸



Rev. 3

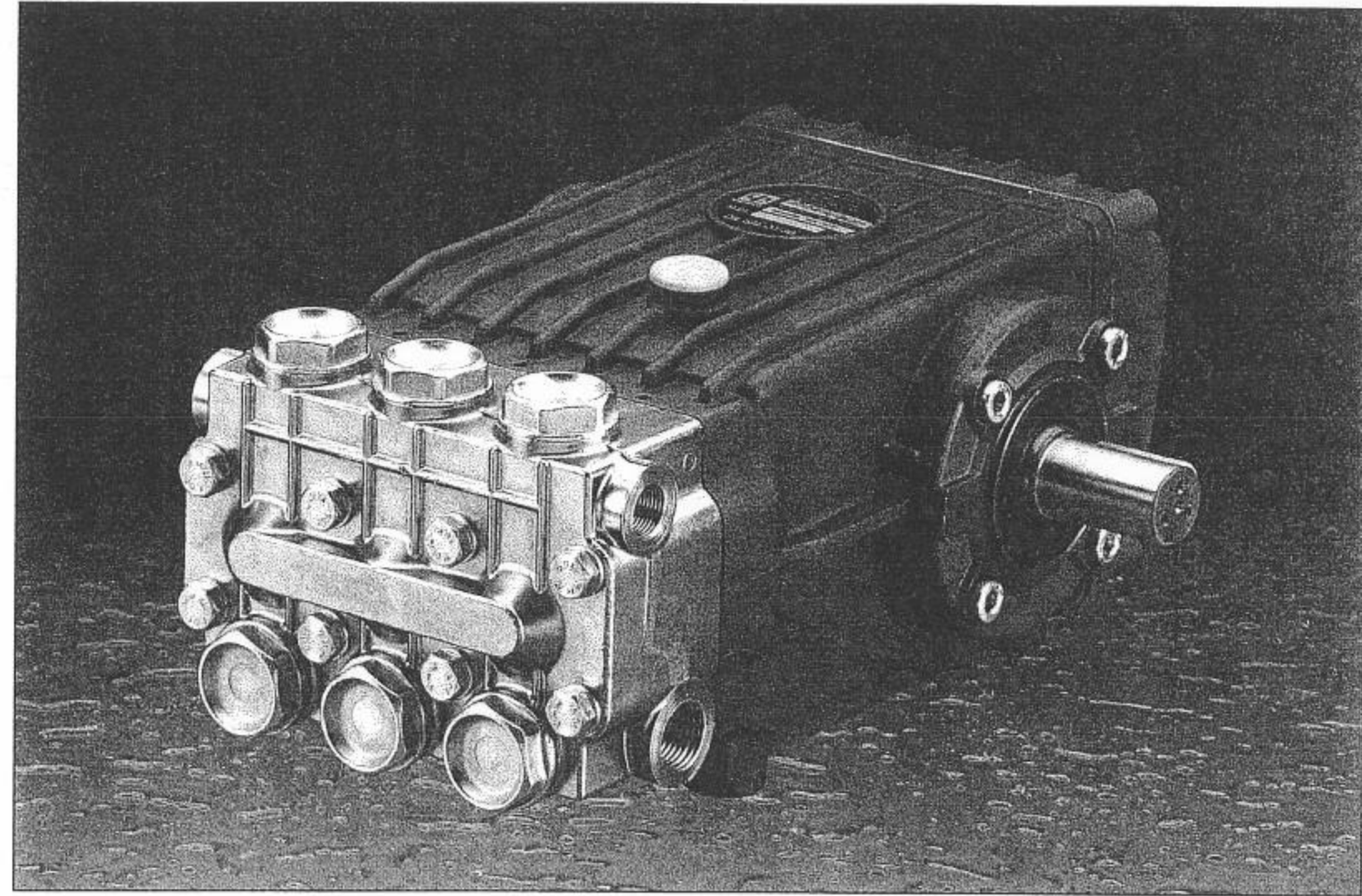


**INTERPUMP GROUP**  
INTERNATIONAL TECHNICAL COMPANY



PUMP

**W928 - T9281**



LUBRICATION: We recommend INTERPUMP OIL X-9.9. (SAE 15W40 Mineral) - OIL CAPACITY I 1.2

润滑：我们建议您使用INTERPUMP OIL X-9.9 (SAE 15W40 Mineral) - 加油量1.2L

Cod. 47.2238.03 - 02/07 - 1.000 De Pietri



Pump type		Volume 流量		Pressure 压力		r.p.m. 转速	Required 输入功率		Weight 重量	Overall dimensions 外型尺寸
		l/min	G.P.M. (U.S.A.)	bar	p.s.i.	1750	HP	kW	14,5	mm
		W928	T9281	15	3,96		275	4000		11
										321x234x176
										inches