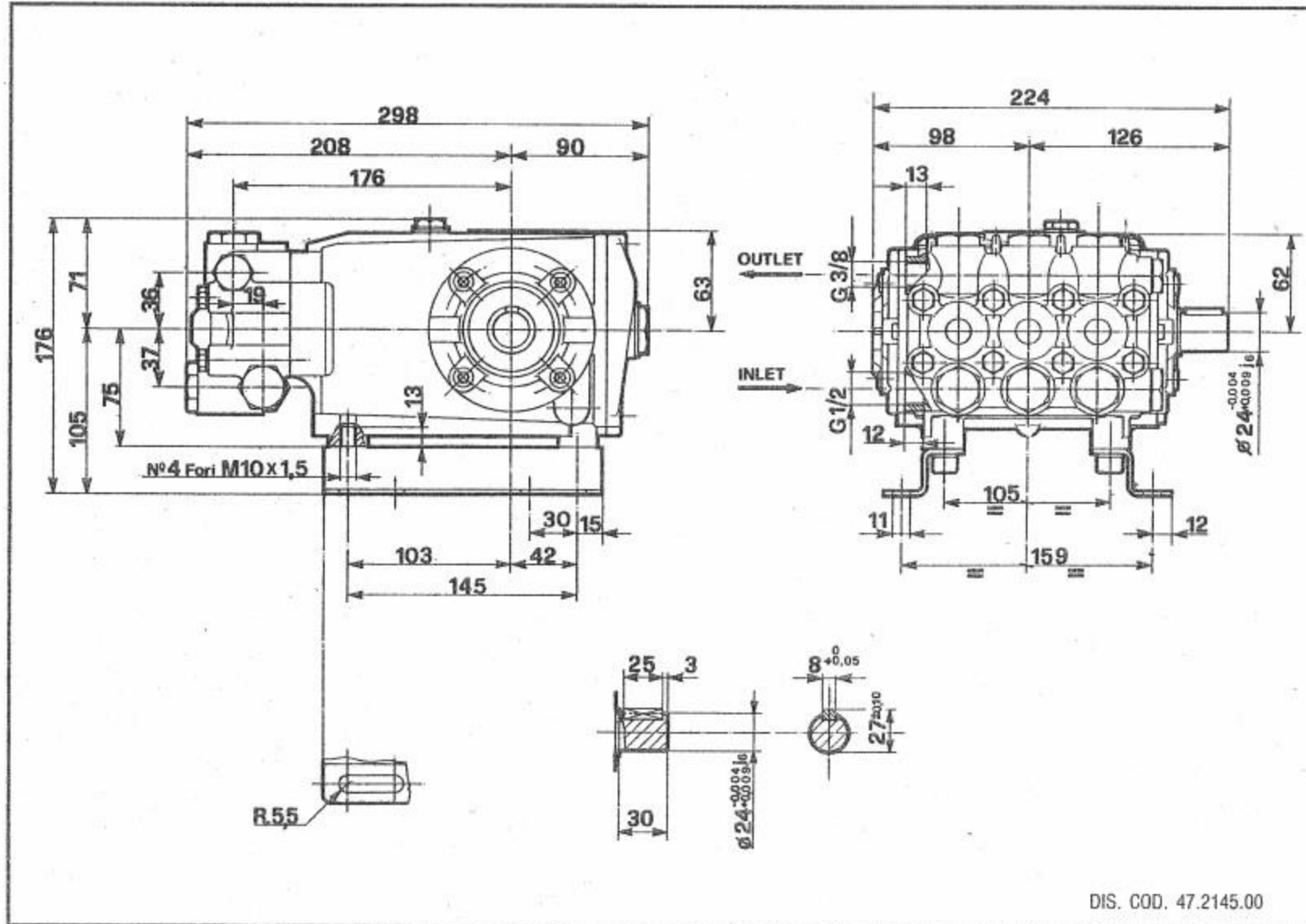


OVERALL DIMENSIONS

外型尺寸



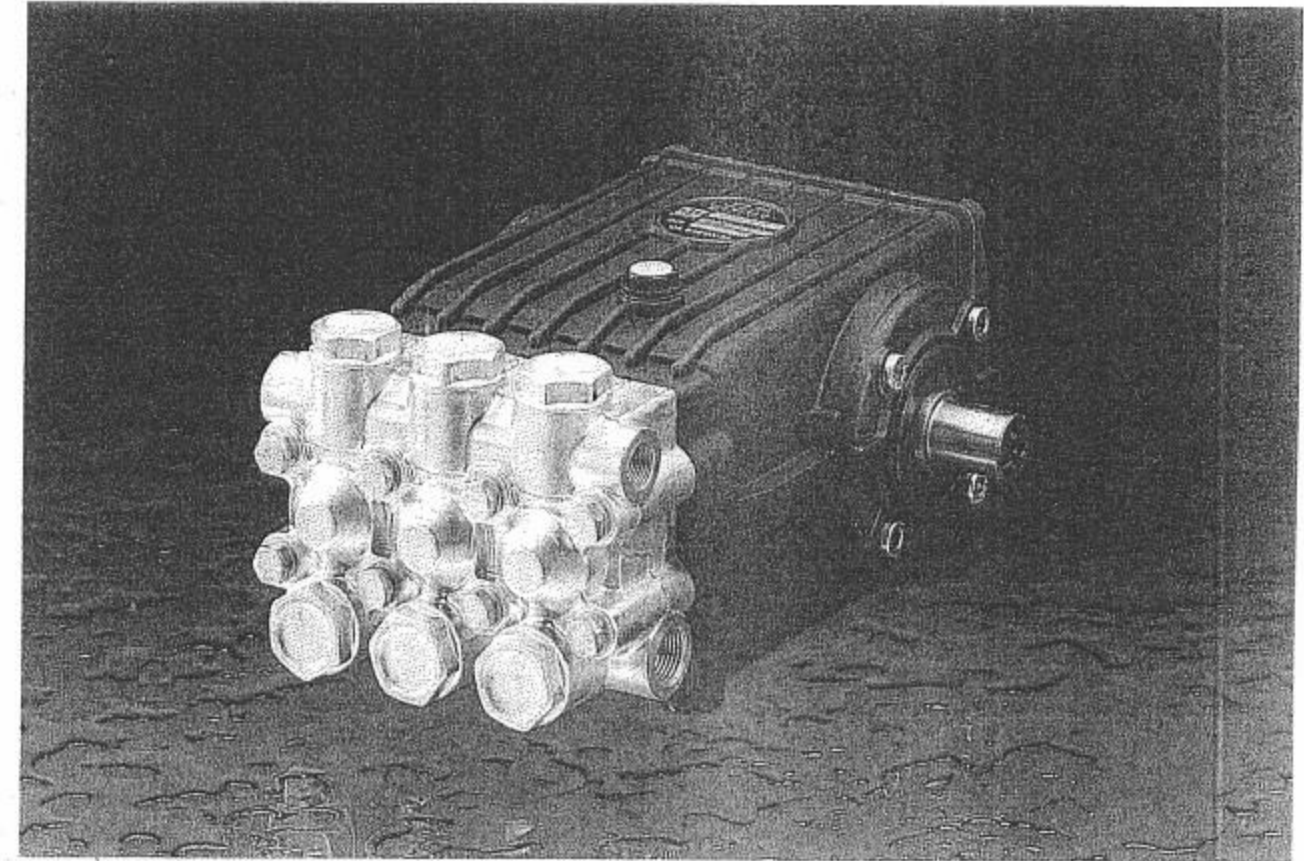
Revisione n. 3

Cod. 47.2239.03 - 11/06 - 1.000 DePietri

■ LUBRICATION: We recommend INTERPUMP OIL X-9.9. (SAE 15W40 Mineral) - OIL CAPACITY 1 l  
 润滑: 我们建议您使用INTERPUMP OIL-X-9.9 (SAE 15W40 Mineral) - OIL 加油量1L

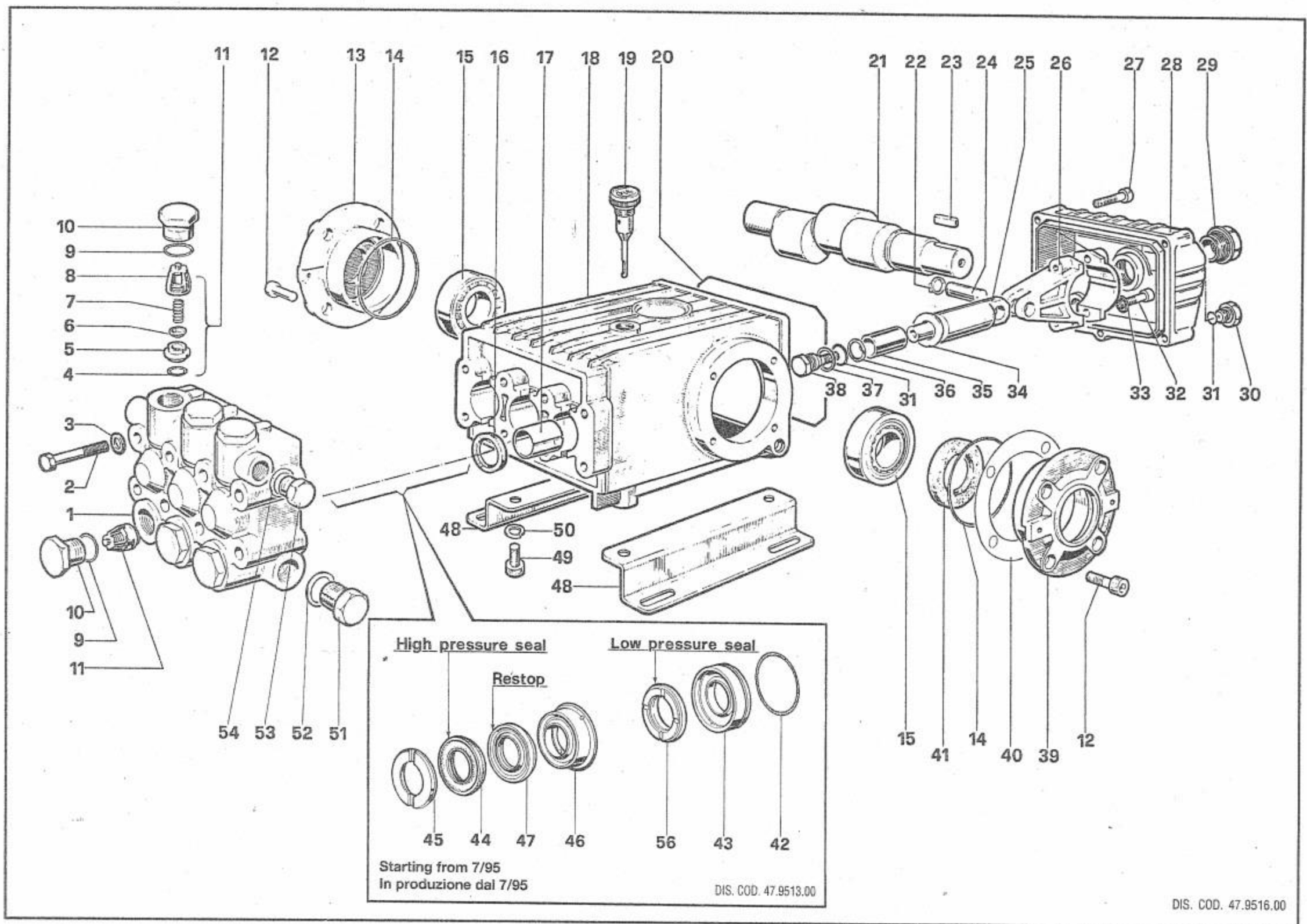


PUMP **WS82 - WS101 - WS133**  
**W912 - W913**



pump type 泵型号	volume 流量		pressure 压力		r.p.m. 转速	required 输入功率		weight kg. 重量	overall dimensions 外型尺寸
	l/min	G.P.M. (USA)	bar	p.s.i.		hp	kw		
WS82	21	5.55	80	1160	1450	4	2,94	14	298 x 224 x 176
WS101	15	3.96	100	1450	1450	4	2,94	14	298 x 224 x 176
WS133	13	3.43	120	1750	1450	4	2,94	14	298 x 224 x 176
W912	18	4.75	100	1450	1750	5	3,67	14	298 x 224 x 176
W913	15	3.96	130	1885	1750	5	3,67	14	298 x 224 x 176





KIT N.	KIT 1	KIT 2	KIT 3	KIT 4	KIT 6	KIT 7	KIT 69	KIT 71	KIT 10	KIT 28
Positions Included	4-5-6-7 8-(11)	16	41	9-10	31-34-36 37-38	45	44-47 56	46-47	42-43	42-43 44-45 46-47 56
包含										
N. pcs.	6	3	2	6	3	6	3	3	3	1

**WS82**    **W912**  
**WS101**   **W913**  
**WS133**

POS.	CODE CODICE	DESCRIPTION DESCRIZIONE	N. PCS.	POS.	CODE CODICE	DESCRIPTION DESCRIZIONE	N. PCS.
1	47.1201.41	Testata OT 58 - BRASS 铸造黄铜OT 58	1	31	90.3585.00	OR Ø 10,82x1,78 ○型圈	KIT 6 4
2	99.3206.00	Vite M8x70 UNI 5737 螺栓	8	32	99.3099.00	Vite M8x35 UNI 5931 螺栓	6
3	96.7020.00	Rosetta Ø 8 UNI 1736 垫圈	8	33	96.7014.00	Rosetta Ø 8,4x13x0,8 垫圈	6
4	90.3841.00	OR Ø 17,13x2,62 ○型圈	KIT 1 6	34	96.7286.00	Rosetta Ø 14x28x0,5 垫圈	KIT 6 3
5	36.2003.66	Sede valvola 阀座	KIT 1 6	35	47.0404.09	Pistone Ø 20 柱塞	3
6	36.2001.76	Valvola 阀	KIT 1 6	36	90.5067.00	Anello per OR 密封环	KIT 6 3
7	94.7376.00	Molla Ø 9,4x14,8 弹簧	KIT 1 6	37	96.7280.00	Rosetta Ø 14x18,5x0,5 垫圈	KIT 6 3
8	36.2002.51	Guida valvola 阀导向	KIT 1 6	38	47.2195.66	Vite fissaggio pistone 柱塞螺栓	KIT 6 3
9	90.3847.00	OR Ø 20,24x2,62 ○型圈	KIT 4 6	39	47.1500.22	Coperchio carter 曲轴箱盖	1
10	98.2220.00	Tappo M 24x2x16 螺栓	KIT 4 6	40	97.5678.00	Spessore 薄垫片	2
11	36.7032.01	Gruppo valvola 阀单元	KIT 1 6	41	90.1648.00	Anello radiale Ø 30x55x7 油封	KIT 3 1
12	99.3039.00	Vite M8x16 UNI 5931 螺栓	8	42	90.3616.00	OR Ø 34,65x1,78 ○型圈	KIT 10-28 3
13	47.1501.22	Coperchio carter 曲轴箱盖	1	43	47.0805.70	Anello di fondo Ø 20 密封环	KIT 10-28 3
14	90.3913.00	OR Ø 67,95x2,62 ○型圈	2	44	90.2705.00	Anello tenuta Ø 20 H.P. seal 高压密封环	KIT 28-69 3
15	91.8375.00	Cuscinetto a rulli 32206 滚子轴承	2	45	47.1000.51	Anello testa Ø 20 第一环	KIT 7-28 3
16	90.1625.00	Anello radiale Ø 22x32x5,5 油封	KIT 2 3	46	47.2169.70	Anello intermedio Ø 20 中间环	KIT 28-71 3
17	90.9126.00	Boccola Ø 22x25x30 轴套	3	47	90.2704.00	Anello "RESTOP" Ø 20 限位环	KIT 28-69-71 3
18	47.0100.22	Carter 曲轴箱	1	48	47.2000.74	Piedino 底脚	2
19	98.2106.00	Tappo carico olio G 3/8 油标螺丝	1	49	99.3644.00	Vite M10x18 UNI 5931 螺栓	4
20	90.3922.00	OR Ø 133,02x2,62 ○型圈	1	50	96.7106.00	Rosetta Ø 10 DIN 7980 垫圈	4
21	47.0203.35	Albero semplice P. di F. WS82 曲轴	1	51	98.2176.00	Tappo G 1/2x10 螺栓	1
	47.0205.25	Albero semplice P. di F. WS101-W912	1	52	96.7514.00	Rosetta Ø 21,5x27x1,5 垫圈	1
	47.0214.35	Albero semplice P. di F. WS133-W913	1	53	98.2100.00	Tappo G 3/8x13 螺栓	1
22	90.0557.00	Anello di fermo 轴用挡圈	6	54	96.7380.00	Rosetta Ø 17,5x23x1,5 垫圈	1
23	91.4878.00	Linguetta 键	1	56	90.2710.00	Anello tenuta Ø 20 L.P. sea 低压密封环	KIT 28-69 3
24	97.7380.00	Spinotto Ø 13x35 销子	3				
25	47.0504.54	Guida pistone 柱塞导向	3				
26	47.0300.01	Biella completa 连杆	3				
27	99.1837.00	Vite M6x14 UNI 5931 螺栓	5				
28	47.1600.22	Coperchio carter 曲轴箱体	1				
29	97.5968.00	Spia olio G 3/4 油标螺丝	1				
30	98.2041.00	Tappo G 1/4x9 螺栓	1				