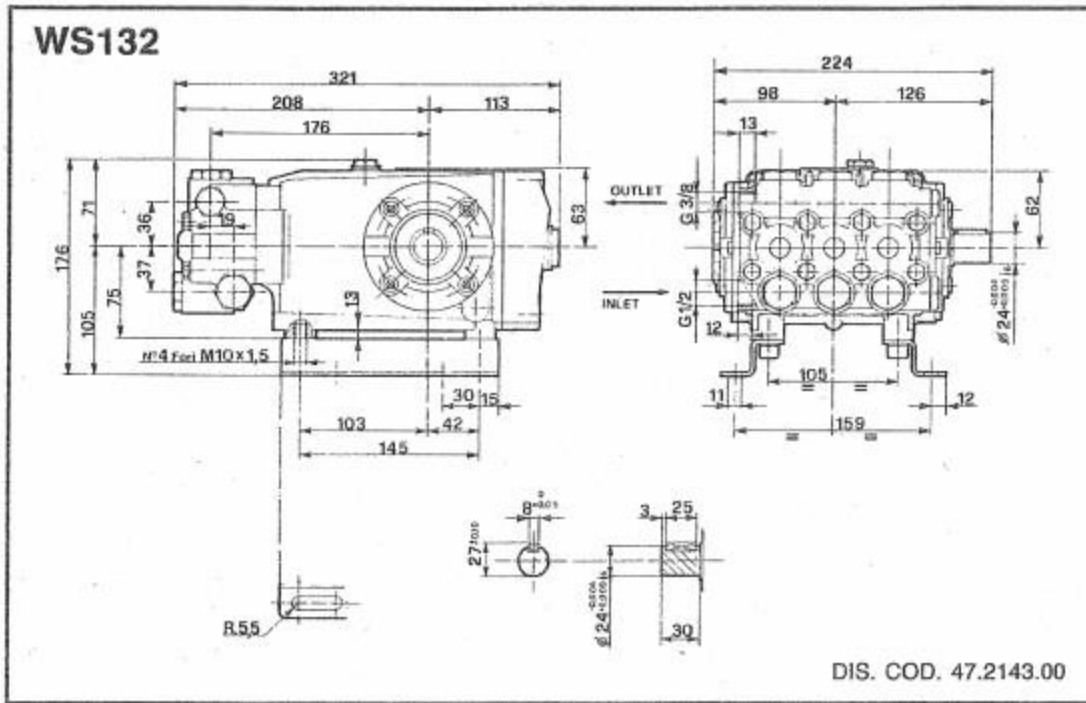
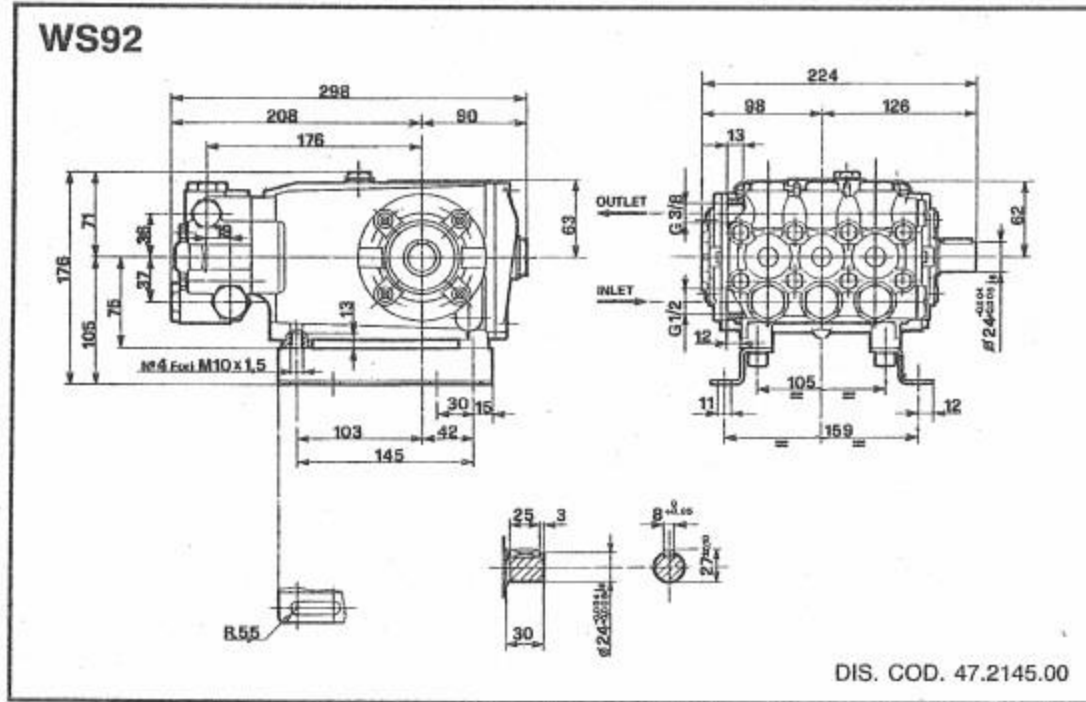


OVERALL DIMENSIONS

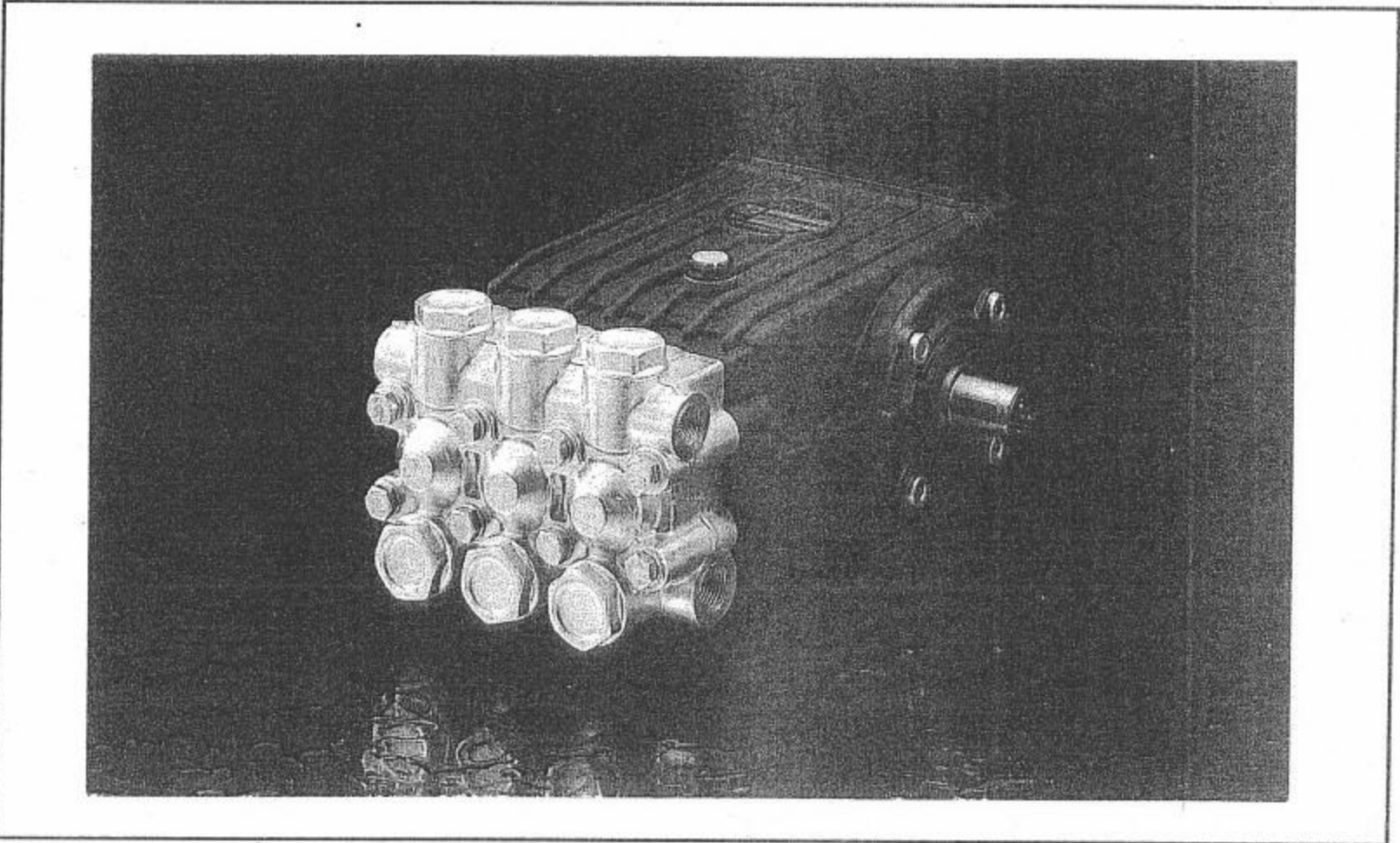
外型尺寸



REVISIONE N. 3



PUMP **WS92 - WS132**



	WS92	WS132
LUBRICATION: We recommend INTERPUMP OIL X-9.9. (SAE 15W40 Mineral) - OIL CAPACITY	1	1,2
润滑: 我们建议您使用INTERPUMP OIL X9.9 (SAE 15W40 Mineral) 加油量为	1	1,2
	1	1,2
	1	1,2
	1	1,2

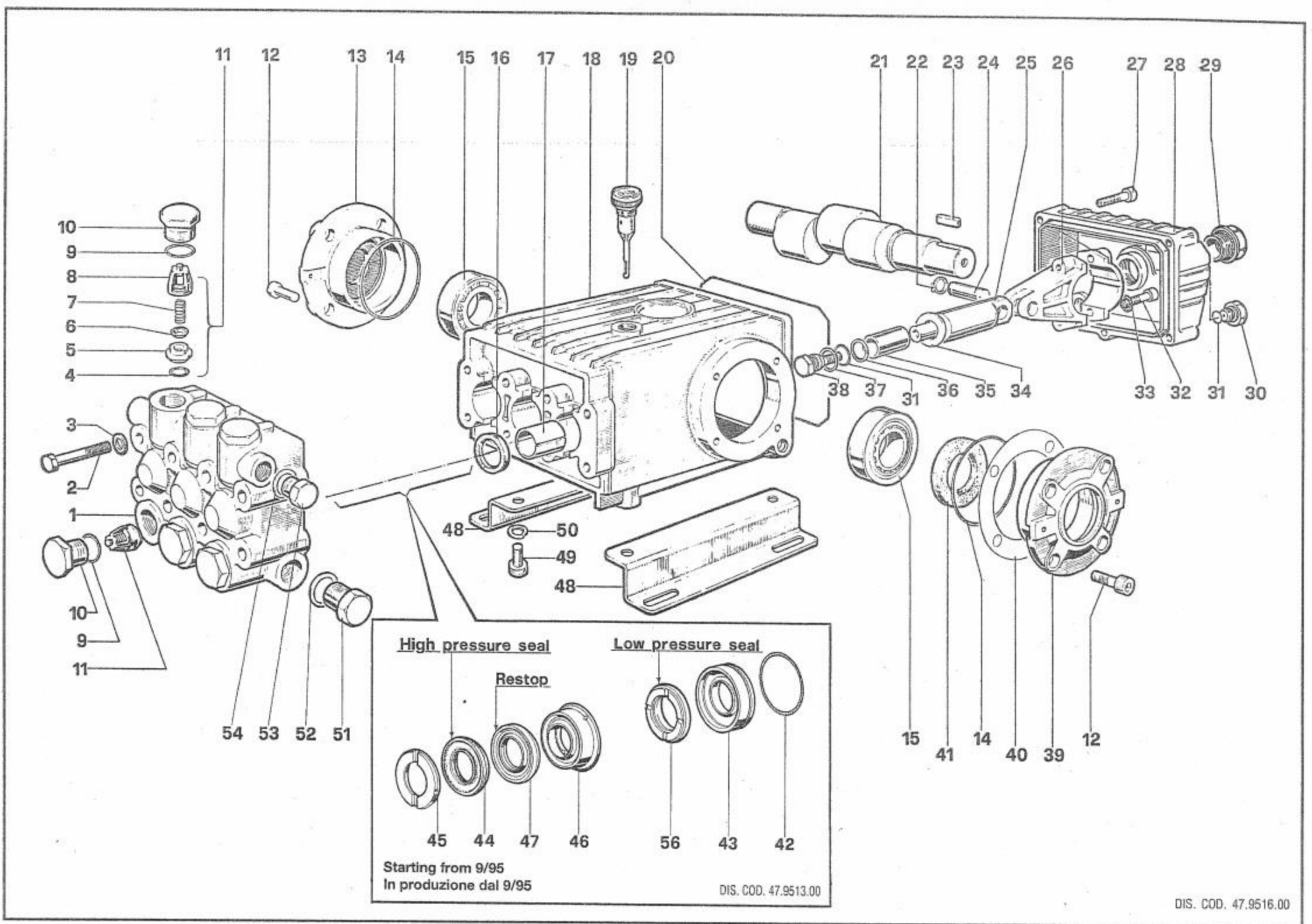
Cod. 47.2241.03 - 12/06 - 1.000 DePietri

INTERPUMP GROUP



42040 S. ILARIO - REGGIO EMILIA (ITALY)
 TEL. +39 - 522 - 904311
 TELEFAX +39 - 522 - 904444
 E-mail: interpump.group @ interbusiness.it

pump type 泵型号	volume 流量		pressure 压力		r.p.m. 转速	required 输入功率		weight kg. 重量	overall dimensions 外型尺寸
	l/min.	G.P.M. (USA)	bar	p.s.i.		hp	kw		
WS92	18	4.75	90	1300	1450	4	2,94	14	298x224x176
WS132	18,7	4.94	120	1750	1450	5,5	4,04	14,5	321x224x176



KIT N.	KIT 1	KIT 2	KIT 3	KIT 4	KIT 6	KIT 11	KIT 148	KIT 149	KIT 14	KIT 29
Positions included 包含	4-5-6-7 8-(11)	16	41	9-10	31-34-36 37-38	45	44-47 56	46-47	42-43	42-43 44-45 46-47 56
N. pcs.	6	3	2	6	3	6	3	3	3	1

POS.	CODE	DESCRIPTION	说明	N. PCS.
1	47.1201.41	Testata - OT58 - Brass	铸造黄铜OT58	1
2	99.3206.00	Vite M8x70 UNI 5737	螺栓	8
3	96.7020.00	Rosetta Ø 8 UNI 1736	垫片	8
4	90.3841.00	OR Ø 17,13x2,62	O型圈	KIT 1 6
5	36.2003.66	Sede valvola	阀座	KIT 1 6
6	36.2001.76	Valvola	阀	KIT 1 6
7	94.7376.00	Molla Ø 9,4x14,8	弹簧	KIT 1 6
8	36.2002.51	Guida valvola	阀导向	KIT 1 6
9	90.3847.00	OR Ø 20,24x2,62	O型圈	KIT 4 6
10	98.2220.00	Tappo M 24x2x16	螺丝	KIT 4 6
11	36.7032.01	Gruppo valvola	阀单元	KIT 1 6
12	99.3039.00	Vite M8x16 UNI 5931	螺栓	8
13	47.1501.22	Coperchio carter	曲轴箱盖	1
14	90.3913.00	OR Ø 67,95x2,62	O型圈	2
15	91.8375.00	Cuscinetto a rulli 32206	滚子轴承	2
16	90.1625.00	Anello radiale Ø 22x32x5,5	油封	KIT 2 3
17	90.9126.00	Boccola Ø 22x25x30	衬套	3
18	47.0100.22	Carter	曲轴箱	1
19	98.2106.00	Tappo carico olio G 3/8	油标螺丝	1
20	90.3922.00	OR Ø 133,02x2,62	O型圈	1
21	47.0205.35	Albero semplice P. di F. WS92	曲轴	1
	47.0206.35	Albero semplice P. di F. WS132		1
22	90.0557.00	Anello di fermo	轴用挡圈	6
23	91.4878.00	Linguetta	键	1
24	97.7380.00	Spinotto Ø 13x35	销子	3
25	47.0504.54	Guida pistone WS92	曲轴	3
	47.0505.54	Guida pistone WS132		3
26	47.0300.01	Biella completa	连杆	3
27	99.1837.00	Vite M6x14 UNI 5931 (WS92)	螺栓	5
	99.1912.00	Vite M6x30 UNI 5931 (WS132)		5
28	47.1600.22	Coperchio carter WS92	曲轴箱盖	1
	47.1601.22	Coperchio carter WS132		1

POS.	CODE	DESCRIPTION	说明	N. PCS.
29	97.5968.00	Spia olio G 3/4	油标螺丝	1
30	98.2041.00	Tappo G 1/4x9	螺塞	1
31	90.3585.00	OR Ø 10,82x1,78	O型圈	KIT 6 4
32	99.3099.00	Vite M8x35 UNI 5931	螺栓	6
33	96.7014.00	Rosetta Ø 8,4x13x0,8	垫圈	6
34	96.7286.00	Rosetta Ø 14x28x0,5	垫圈	KIT 6 3
35	47.0405.09	Pistone Ø 22	柱塞	3
36	90.5067.00	Anello per OR	密封环	KIT 6 3
37	96.7280.00	Rosetta Ø 14x18,5x0,5	垫圈	KIT 6 3
38	47.2195.66	Vite fissaggio pistone	柱塞螺丝	KIT 6 3
39	47.1500.22	Coperchio carter	曲轴箱盖	1
40	97.5678.00	Spessore	薄片	2
41	90.1648.00	Anello radiale Ø 30x55x7	油封	KIT 3 1
42	90.3616.00	OR Ø 34,65x1,78	O型圈	KIT 14-29 3
43	47.0806.70	Anello di fondo Ø 22	密封环	KIT 14-29 3
44	90.2725.00	Anello tenuta Ø 22 H.P. seal	高压密封环	KIT 29-148 3
45	46.1000.51	Anello testa Ø 22	第一环	KIT 11-29 3
46	47.2170.70	Anello intermedio Ø 22	中间环	KIT 29-149 3
47	90.2730.00	Anello "RESTOP" Ø 22	限位环	KIT 29-148-149 3
48	47.2000.74	Piedino	底脚	2
49	99.3644.00	Vite M10x18 UNI 5931	螺栓	4
50	96.7106.00	Rosetta Ø 10 DIN 7980	垫圈	4
51	98.2176.00	Tappo G 1/2x10	螺丝	1
52	96.7514.00	Rosetta Ø 21,5x27x1,5	垫片	1
53	98.2100.00	Tappo G 3/8x13	螺丝	1
54	96.7380.00	Rosetta Ø 17,5x23x1,5	垫片	1
56	90.2728.00	Anello tenuta Ø 22 L.P. seal	高压密封垫	KIT 29-148 3