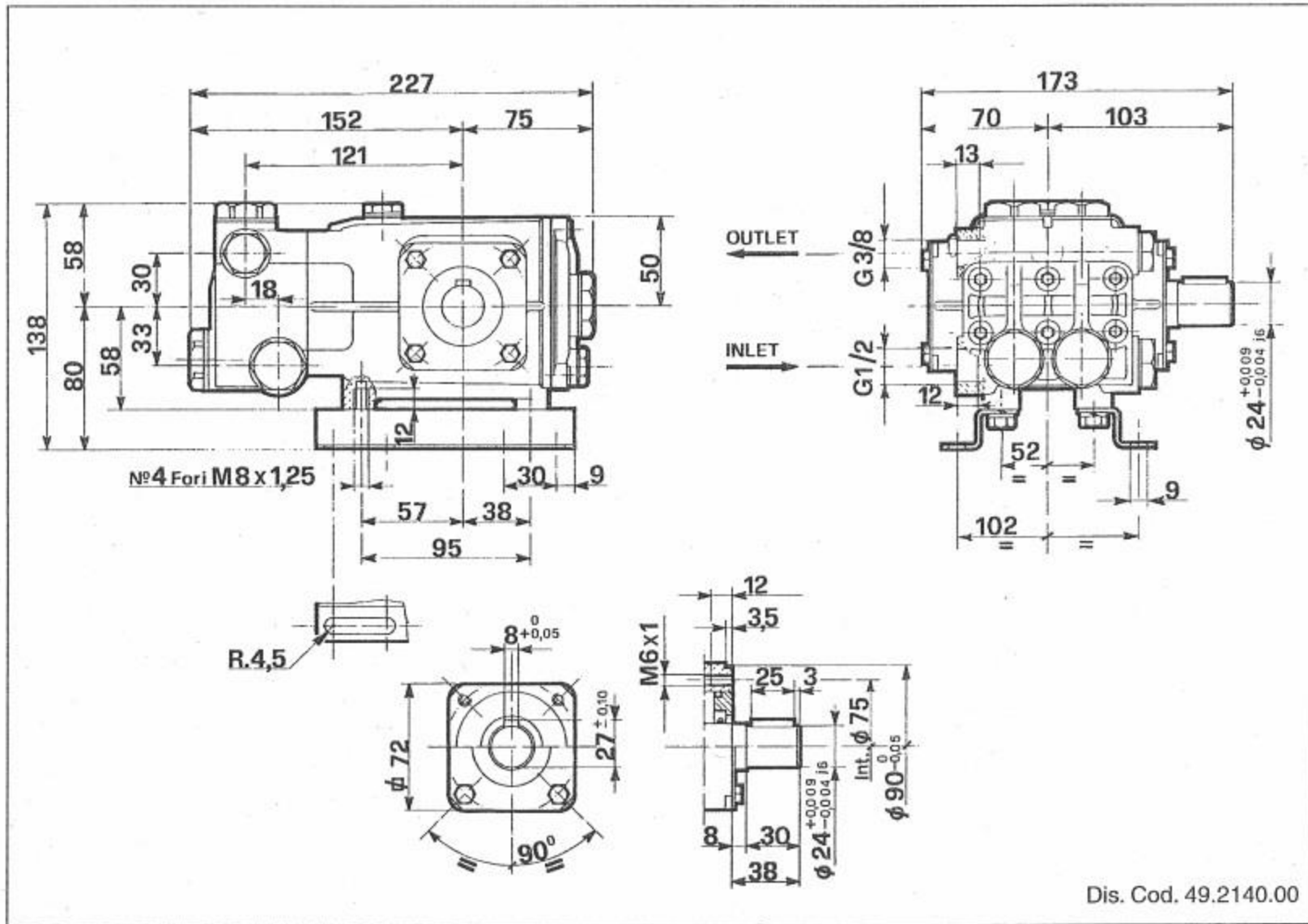


OVERALL DIMENSIONS

外型尺寸



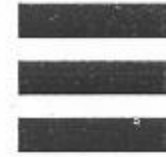
Dis. Cod. 49.2140.00

Rev. 2

LUBRICATION: We recommend INTERPUMP OIL X-9.9. (SAE 15W40 Mineral) - OIL CAPACITY 1.0.3

润滑: 我们建议您使用INTERPUMP OIL X-9.9 (SAE 15W40 Mineral) 加油量1.3L

Cod. 49.2132.03 - 02/07 - 500 De Pietri

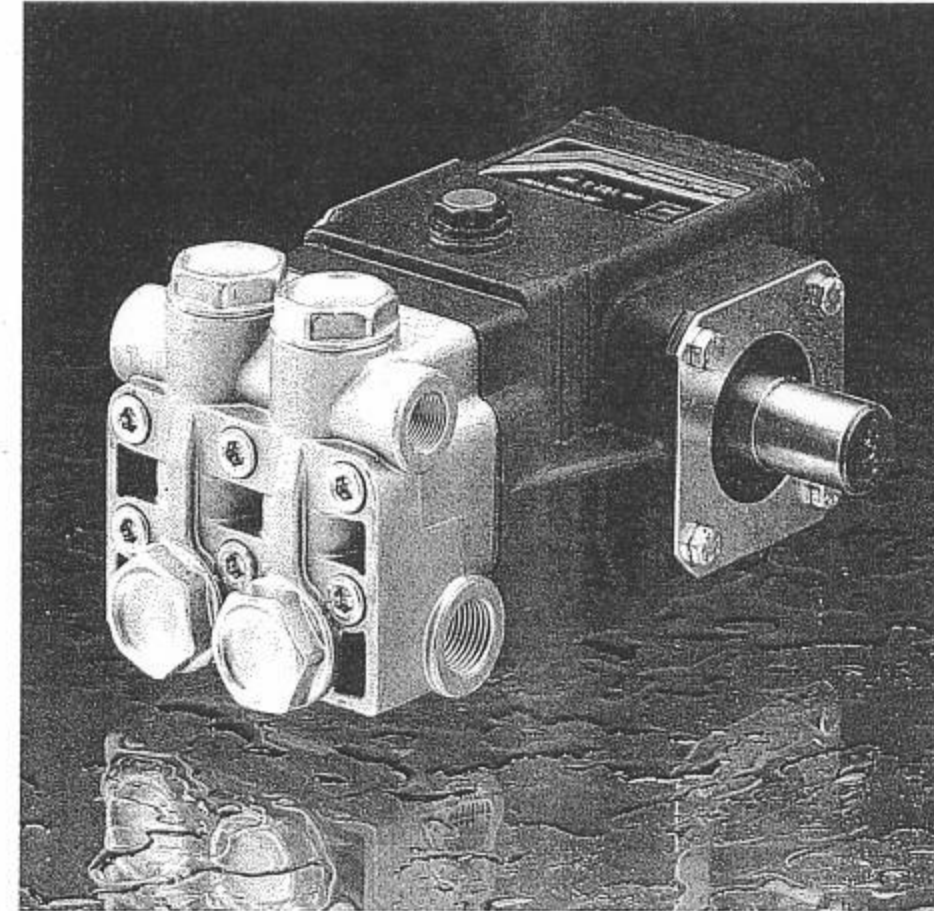


INTERNATIONAL TECHNICAL COMPANY



PUMP

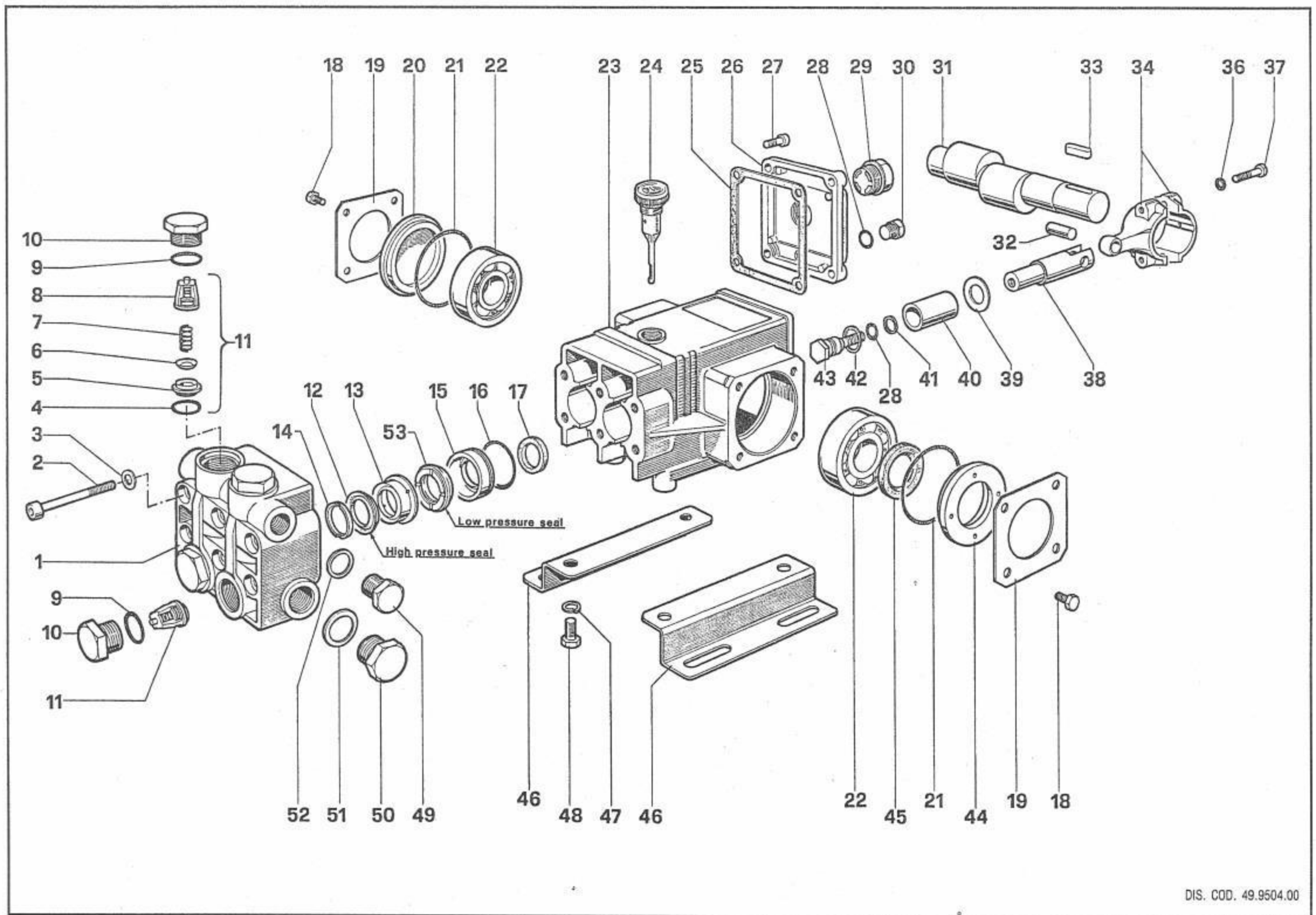
- W52 -
- W53 -
- W72 -
- W73 -
- W972 -
- W973 -
- W979 -



- T521 -
- T531 -
- T721 -
- T731 -
- T9721 -
- T9731 -
- T9791 -

pump type		volume 流量		pressure 压力		r.p.m. 转速	required 输入功率	weight kg. 重量	overall dimensions in. 外型尺寸
		l/min.	G.P.M. (USA)	bar	p.s.i.		hp / kw		
W52	T521	8	2.11	50	725	1450	1 / 0,73	5	8.9x6.8x5.4 227x173x138
W53	T531	11	2.90	50	725	1450	1,5 / 1,1	5	8.9x6.8x5.4 227x173x138
W72	T721	8	2.11	70	1015	1450	1,5 / 1,1	5	8.9x6.8x5.4 227x173x138
W73	T731	11	2.90	70	1015	1450	2 / 1,47	5	8.9x6.8x5.4 227x173x138
W972	T9721	8	2.11	70	1015	1750	1,5 / 1,1	5	8.9x6.8x5.4 227x173x138
W973	T9731	11	2.90	70	1015	1750	2 / 1,47	5	8.9x6.8x5.4 227x173x138
W979	T9791	9,5	2.50	75	1100	1750	2 / 1,47	5	8.9x6.8x5.4 227x173x138





KIT N.	KIT 1	KIT 4	KIT 6	KIT 19	KIT 20	KIT 21	KIT 22	KIT 23	KIT 27
Positions Included 包含	4-5-6-7 8-(11)	9-10	28-39-41 42-43	12-53	13	14	15-16	17	12-13 14-15 16-53
N. pcs.	6	6	3	3	3	6	3	3	1

POS.	CODE	DESCRIPTION	说明	N. PCS.
1	49.1200.22	Testata - All. - Nickel	全镍铸造	1
	49.1200.41	Testata - OT58 - Brass	铸造黄铜OT58	1
2	99.3175.00	Vite M8x60 UNI 5931	螺栓	6
3	96.7014.00	Rosetta \varnothing 8,4x13x0,8	垫圈	6
4	90.3841.00	OR \varnothing 17,13x2,62	O型圈	KIT 1 4
5	36.2003.66	Sede valvola	阀座	KIT 1 4
6	36.2001.76	Valvola	阀	KIT 1 4
7	94.7376.00	Molla \varnothing 9,4x14,8	弹簧	KIT 1 4
8	36.2002.51	Guida valvola	阀导向	KIT 1 4
9	90.3847.00	OR \varnothing 20,24x2,62	O型圈	KIT 4 4
10	98.2220.00	Tappo M 24x2x16	螺丝	KIT 4 4
11	36.7032.01	Gruppo valvola	阀单元	KIT 1 4
12	90.2703.00	Anello tenuta \varnothing 20 H.P. seal	高压密封环	KIT 19-27 2
13	50.2166.70	Anello intermedio \varnothing 20	中间环	KIT 20-27 2
14	50.1000.51	Anello di testa \varnothing 20	第一环	KIT 21-27 2
15	50.0805.70	Anello di fondo \varnothing 20	密封环	KIT 22-27 2
16	90.3612.00	OR \varnothing 31,47x1,78	O型圈	KIT 22-27 2
17	90.1614.00	Anello radiale \varnothing 20x30x5	油封	KIT 23 2
18	99.1807.00	Vite M6x10 UNI 5739	螺栓	8
19	50.1500.74	Coperchio carter	曲轴箱盖	2
20	50.2116.51	Distanziale	键	1
21	90.4097.00	OR \varnothing 55,56x3,53	O型圈	2
22	91.8329.00	Cuscinetto a sfere 6305 (W72-979/T721-9791)	球轴承	2
	91.8328.00	Cuscinetto a sfere 6305 (W52-53/T521-531)	球轴承	2
23	49.0104.22	Carter serie T	T型端盖	1
24	98.2103.00	Tappo carico olio G3/8	油标螺丝	1
25	49.2119.84	Guarnizione coperchio	端盖垫片	1
26	49.1600.22	Coperchio carter serie W	曲轴箱盖	1
	49.1603.22	Coperchio carter serie T	曲轴箱盖	1
27	99.1837.00	Vite M6x14 UNI 5931	螺栓	4
28	90.3585.00	OR \varnothing 10,82x1,78	O型圈	KIT 6 3
29	97.5968.00	Spia olio G 3/4	放油口	1

POS.	CODE	DESCRIPTION	说明	N. PCS.
30	98.2041.00	Tappo G 1/4x9	螺丝	1
	49.0205.35	Albero W52-T521		1
	49.0200.35	Albero W53-T531	曲轴	1
31	49.0201.35	Albero W73-T731		1
	49.0204.35	Albero W72/979-T721/9791		1
	49.0220.35	Albero W972-T9721		1
	49.0217.35	Albero W973-T9731		1
32	97.7330.00	Spinotto \varnothing 9x19,5	销子	2
33	91.4878.00	Linguetta	键	1
34	50.0300.01	Biella completa	连杆	2
36	96.6939.00	Rosetta \varnothing 6,4x10x0,7	垫圈	4
37	99.1927.00	Vite M6x35 UNI 5931	螺栓	4
38	50.0500.56	Guida pistone	柱塞导向	2
39	96.7286.00	Rosetta \varnothing 14x28x0,5	垫圈	KIT 6 2
40	50.0404.09	Pistone \varnothing 20	柱塞	2
41	90.5067.00	Anello per OR	密封环	KIT 6 2
42	96.7280.00	Rosetta \varnothing 14x18,5x0,5	垫圈	KIT 6 2
43	47.2195.66	Vite fissaggio pistone	柱塞螺丝	KIT 6 2
44	50.2115.51	Distanziale	调整垫圈	1
45	90.1634.00	Anello radiale \varnothing 25x42x7	油封	1
46	50.2000.74	Piedino	底脚	2
47	96.7016.00	Rosetta \varnothing 8,4 UNI 1751	垫圈	4
48	99.3037.00	Vite M8x16 UNI 5739	螺栓	4
49	98.2100.00	Tappo G 3/8x13	螺丝	1
50	98.2176.00	Tappo G 1/2x10	螺丝	1
51	96.7514.00	Rosetta \varnothing 21,5x27x1,5	垫圈	1
52	96.7380.00	Rosetta \varnothing 17,5x23x1,5	垫圈	1
53	90.2698.00	Anello tenuta \varnothing 20 L.P. seal	低压密封环	KIT 19-27 2