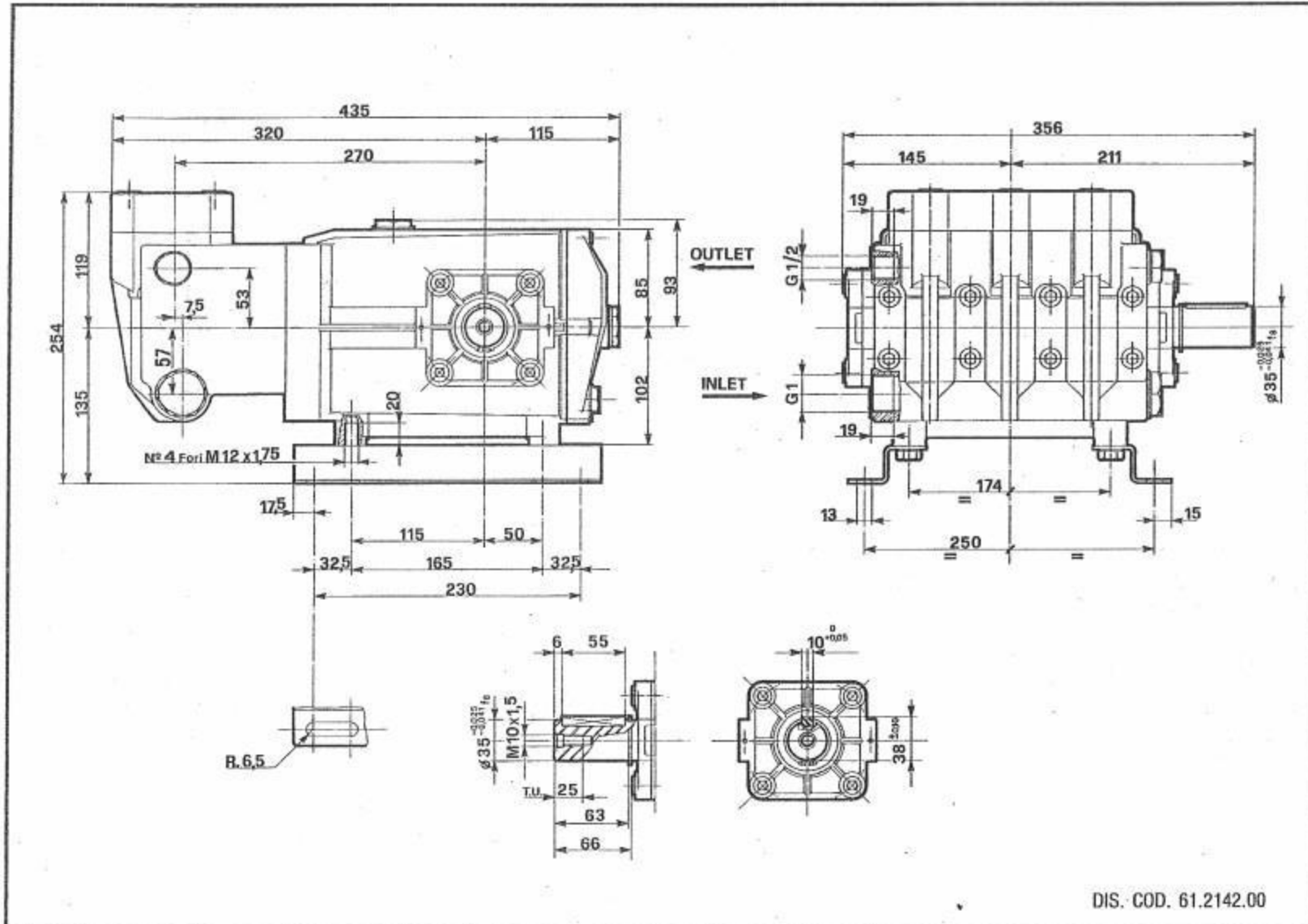


OVERALL DIMENSIONS

外型尺寸



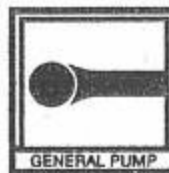
LUBRICATION: We recommend INTERPUMP OIL X-9.9. (SAE 15W40 Mineral) - OIL CAPACITY | 2.7

润滑：我们建议您使用INTERPUMP OIL X-9.9 (SAE 15W40 Mineral) 加油量 12.7L

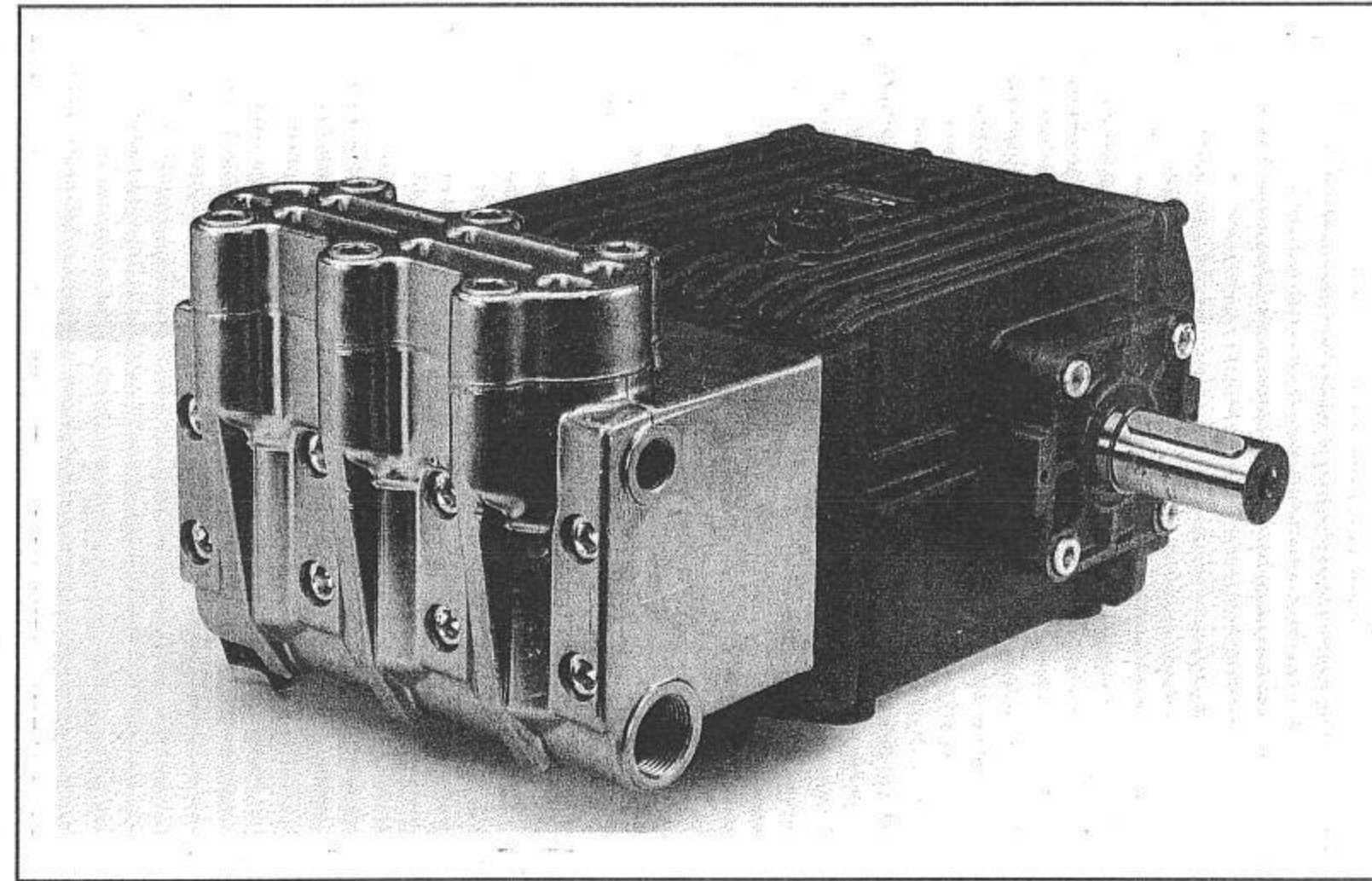
Revisione n. 3



INTERPUMP GROUP

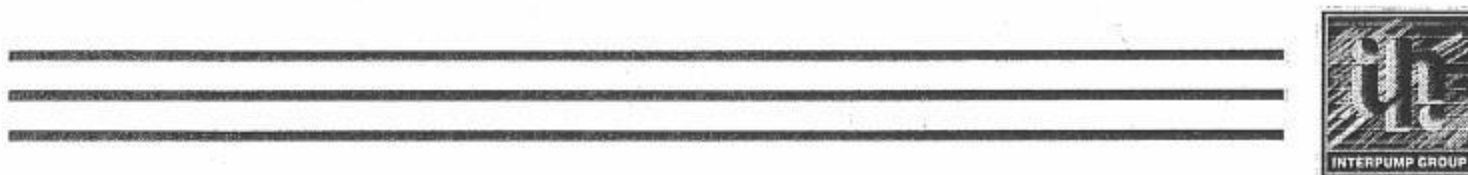


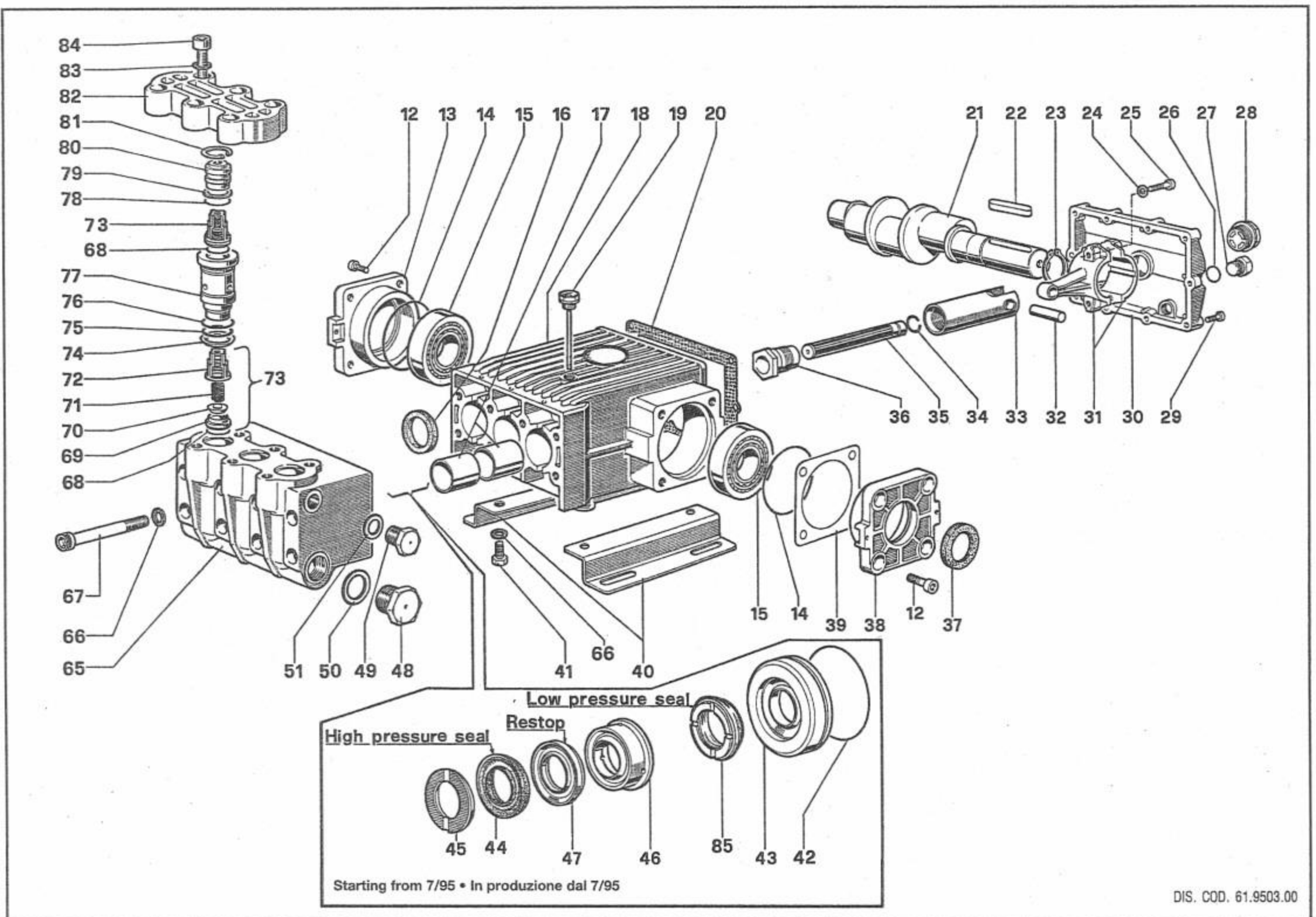
PUMP W425 - T4251



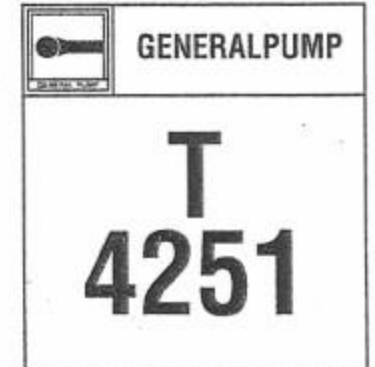
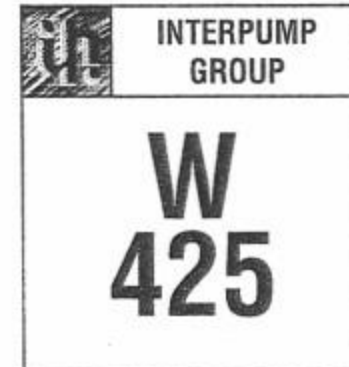
pump type		volume		pressure		r.p.m.	required		weight	kg.	overall dimensions
		流量		压力		转速	输入功率		重量		外型尺寸
		l/min.	G.P.M. (USA)	bar	p.s.i.		HP	kW			
W425	T4251	25	6.6	400	5800	1000	25	18.38	55		435x356x254 mm.
											inches. 17.1x14.0x10

Cod. 61.2128.03 - 11/06 - 500 DePietri





KIT N.	KIT 7	KIT 32	KIT 44	KIT 75	KIT 76	KIT 77	KIT 78	KIT 122
Positions Included	45	37	16	46	42-43	44-47 85	42-43-44 45-46-47 85	68-69-70 71-72 (73)
包含								
N. pcs.	6	2	3	3	3	3	1	6



POS.	CODE	DESCRIPTION	N. PCS.
12	99.3652.00	Vite M10x20 UNI 5931 螺栓	8
13	76.1501.22	Coperchio lat. carter 曲轴箱盖	1
14	90.4141.00	OR Ø 85,32x3,53 O型圈	2
15	91.8474.00	Cuscinetto a rulli conici 滚子轴承	2
16	90.1670.00	Anello radiale Ø 35x52x7 油封 KIT 44	3
17	90.9172.00	Boccola Ø 35x39x30 衬套	6
18	76.0102.01	Carter con boccole 曲轴箱	1
19	98.2270.00	Tappo carico olio G 3/4 油标螺丝	1
20	76.2119.84	Guarnizione coperchio 曲轴箱	1
21	76.0210.35	Albero 曲轴	1
22	91.4978.00	Linguetta 键	1
23	90.0695.00	Anello fermo albero 挡圈	1
24	96.7104.00	Rosetta Ø 10,5 Schnorr 垫片	6
25	99.3720.00	Vite M 10x45 UNI 5931 螺栓	6
26	90.3833.00	OR Ø 13,95x2,62 O型圈	2
27	98.2100.00	Tappo G 3/8x13 螺丝	2
28	97.5968.00	Spia livello olio G 3/4 放油螺丝	1
29	99.1897.00	Vite M 6x25 UNI 5931 螺栓	10
30	76.1600.22	Coperchio carter 曲轴箱盖	1
31	76.0303.01	Biella 连杆	3
32	97.7400.00	Spinotto 销子	3
33	61.0500.66	Guida pistone 柱塞导向	3
34	90.0115.00	Anello fermo albero 轴用挡圈	3
35	61.0400.56	Pistone Ø 20 柱塞	3
36	61.2195.66	Vite fissaggio pistone 柱塞螺丝	3
37	90.1672.00	Anello radiale Ø 35x52x8 油封 KIT 32	1
38	76.1500.22	Coperchio carter 曲轴箱盖	1
39	76.2200.78	Spessore 薄垫片	2
40	76.2000.74	Piedino 底脚	2
41	99.4266.00	Vite M12x25 UNI 5739 螺栓	4
42	90.3903.00	OR Ø 60x2,62 O型圈 KIT 76-78	3

POS.	CODE	DESCRIPTION	N. PCS.
43	61.0800.70	Anello di fondo Ø 20 密封环 KIT 76-78	3
44	90.2705.00	Anello tenuta Ø 20 H.P. seal 垫圈 KIT 77-78	3
45	47.1000.51	Anello di testa Ø 20 第一环 KIT 7-78	3
46	61.2160.70	Anello intermedio Ø 20 中间环 KIT 75-78	3
47	90.2709.00	Anello "RESTOP" Ø 20 限位环 KIT 77-78	3
48	98.2325.00	Tappo G 1x17 螺丝	1
49	98.2178.00	Tappo G 1/2x16 螺丝	1
50	96.7870.00	Rosetta Ø 33,5x38x1,5 垫圈	1
51	96.7514.00	Rosetta Ø 21,5x27x1,5 垫圈	1
65	61.1202.41	Testata nickel 镍合金铸造	1
66	96.7195.00	Rosetta Ø 12 Schnorr 垫圈	12
67	99.4465.00	Vite M12x130 UNI 5931 螺栓	8
68	90.3850.00	OR Ø 21,89x2,62 O型圈 KIT 122	6
69	36.2024.66	Sede valvola 阀座 KIT 122	6
70	36.2013.66	Valvola 阀 KIT 122	6
71	94.7394.00	Molla Ø 10,7x22,5 弹簧 KIT 122	6
72	36.2023.51	Guida valvola 阀导向 KIT 122	6
73	36.7114.01	Gruppo valvola 阀单元 KIT 122	6
74	90.5181.00	Anello per OR 挡圈	3
75	90.4057.00	OR Ø 31,34x3,53 O型圈	3
76	90.3871.00	OR Ø 34,60x2,62 O型圈	3
77	61.2177.66	Bussola 衬套	3
78	90.3855.00	OR Ø 23,47x2,62 O型圈	3
79	90.5154.00	Anello per OR 密封环	3
80	61.2176.70	Tappo 螺丝	3
81	90.0670.00	Anello di fermo Ø 30 UNI 7437 密封圈	3
82	61.2182.41	Coperchio valvole 阀杆	1
83	96.7300.00	Rosetta Ø 14 Schnorr 垫圈	6
84	99.4860.00	Vite M14x50 UNI 5931 螺栓	6
85	90.2710.00	Anello tenuta Ø 20 L.P. seal 低压密封环 KIT 77-78	3