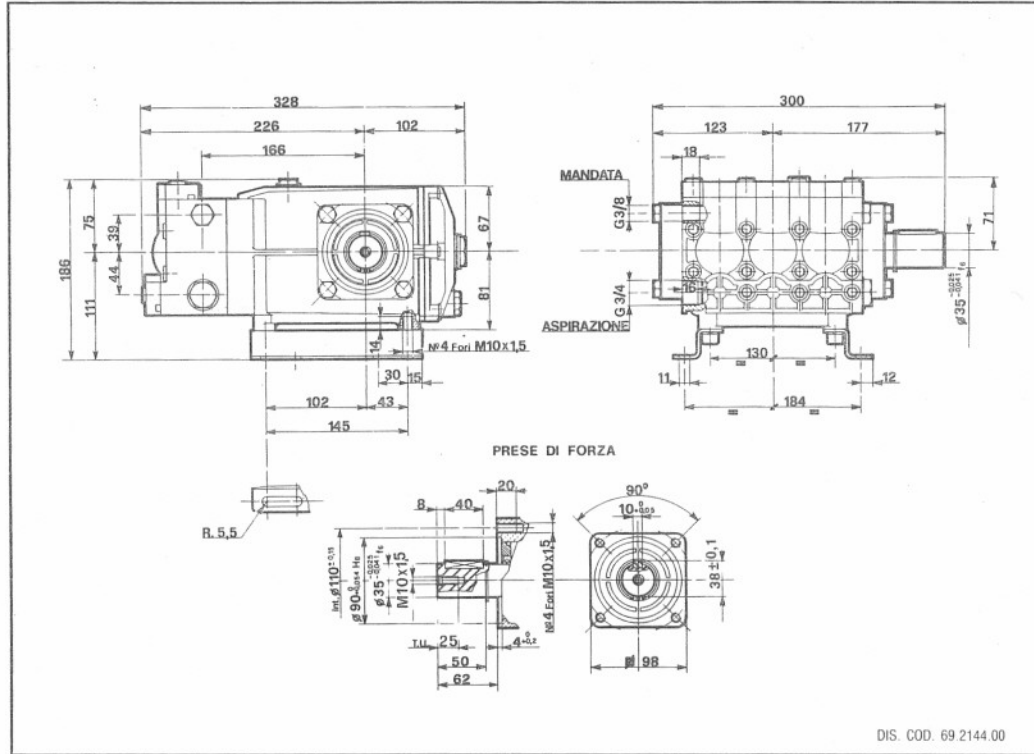
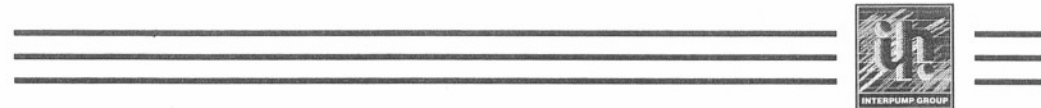


- OVERALL DIMENSIONS
- ÄUSSERE ABMESSUNGEN
- DIMENSIONS TOTALES
- DIMENSIONES TOTALES
- DIMENSIONI D'INGOMBRO



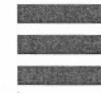
DIS. COD. 69.2144.00

- LUBRICATION: We recommend INTERPUMP OIL X-9.9. (SAE 15W40 Mineral) - OIL CAPACITY 1.5 l
- LUBRIFICATION: On conseille huile INTERPUMP X-9.9. (SAE 15W40 Minérale) - CAPACITÉ D'HUILE 1,5 l
- SCHMIERUNG: Es sollte INTERPUMP ÖL X-9.9 (SAE 15W40 Mineral) verwendet werden - ÖLINHALT 1,5 l
- LUBRIFICACIÓN: Se aconseja aceite INTERPUMP X-9.9. (SAE 15W40 Mineral) - CAPACIDAD 1,5 l
- LUBRIFICAZIONE: Si consiglia olio INTERPUMP X-9.9. (SAE 15W40 Minerale) - CAPACITÀ OLIO 1,5 l



revisione 5

Cod. 69.2136.03 - 03/07 - 500

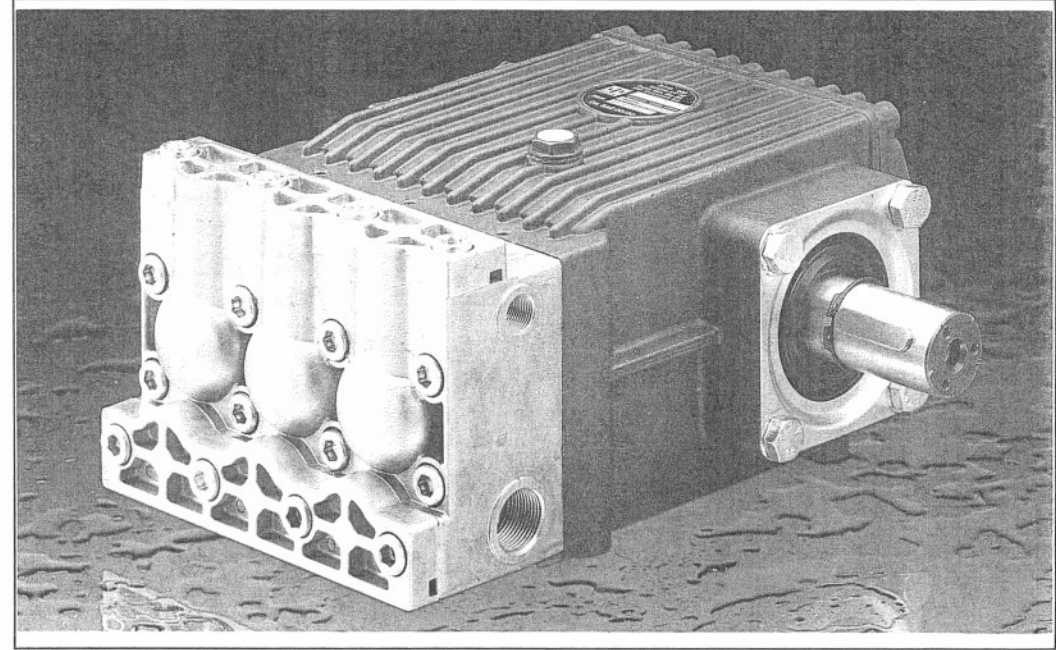


**INTERPUMP
GROUP**



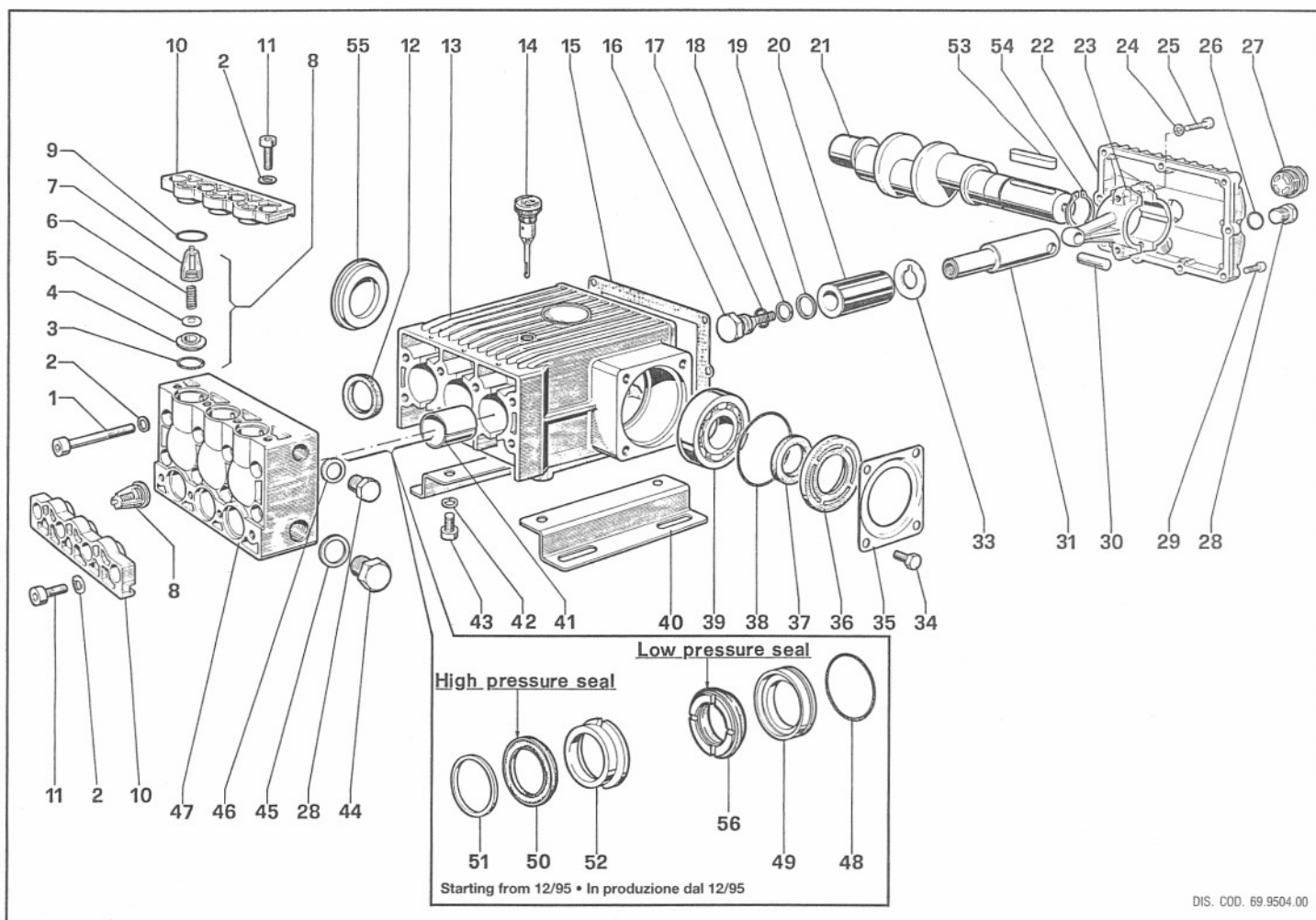
PUMP - PUMPE - POMPE - POMPA

W4 - T41



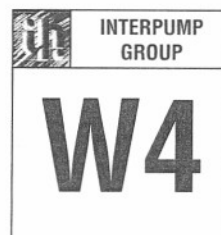
Pump type		Volume Leistung Debit Caudal Portata		Pressure Druck Pressione Presion Pressione			r.p.m. u.p.m. t/min. r/min. g/min.	Required Leistung Puissance Potencia Potenza		Weight Poids Gewicht Peso Peso	Overall dimensions Dimensions Dimensions Dimensiones Dimensioni
W4	T41	l/min	G.P.M. (USA)	bar	Mpa	p.s.i.	hp	kw	kg	328 x 300 x 186	
		42	11.10	50	5	725	600	5,5	4,04	16,5	

U.S.A. VERSION	Max. volume G.P.M.	Max. pressure p.s.i.	Max. r.p.m.	Max. B.H.P./Kw	Weight lbs.	Overall dimensions inches
T41	12	900	650	7.2 / 5.29	36.4	12.9 x 11.8 x 7.3



DIS. COD. 69.9504.00

KIT N.	KIT 32	KIT 37	KIT 38	KIT 39	KIT 40	KIT 41	KIT 42	KIT 62	KIT 74
Positions Included	37	12	50-56	48-49-50 51-52 56	48-49	51	52	3-4-5-6 7-(8)	16-17 18-19
Posizioni Include									
N. pcs.	2	3	3	1	3	6	3	6	3



POS.	CODE CODICE	DESCRIPTION DESCRIZIONE	N. PCS.
1	99.3787.00	Vite M10x80 UNI 5931	8
2	96.7104.00	Rosetta \varnothing 10,5	16
3	90.3859.00	OR \varnothing 25,07x2,62	KIT 62 6
4	36.2017.66	Sede valvola	KIT 62 6
5	36.2018.76	Valvola piana	KIT 62 6
6	94.7394.00	Molla \varnothing 10,7x22,5	KIT 62 6
7	36.2008.51	Guida valvola	KIT 62 6
8	36.7060.01	Gruppo valvola	KIT 62 6
9	90.4055.00	OR \varnothing 29,75x3,53	6
10	69.2180.22	Coperchio valvole	2
11	99.3669.00	Vite M10x25 UNI 5931	8
12	90.1656.00	Anello radiale \varnothing 32x42x7	KIT 37 3
13	69.0100.22	Carter	1
14	98.2106.00	Tappo carico olio	1
15	69.2119.84	Guarnizione coperchio	1
16	69.2195.66	Vite fissaggio pistone	KIT 74 3
17	90.3841.00	OR \varnothing 17,13x2,62	KIT 74 3
18	90.5107.00	Anello per OR	KIT 74 3
19	96.7555.00	Rosetta \varnothing 22x27x0,5	KIT 74 3
20	69.0400.09	Pistone \varnothing 36	3
21	69.0205.35	Albero semplice P. di F.	1
22	69.1600.22	Coperchio carter	1
23	69.0300.01	Biella completa	3
24	96.7014.00	Rosetta \varnothing 8,4	6
25	99.3099.00	Vite M8x35 UNI 5931	6
26	90.3833.00	OR \varnothing 13,95x2,62	1
27	97.5968.00	Spia livello olio G 3/4	1
28	98.2100.00	Tappo G 3/8x13	2
29	99.1867.00	Vite M6x18 UNI 5931	9
30	97.7398.00	Spinotto \varnothing 14x31,5	3
31	69.0500.22	Guida pistone	3
33	96.7565.00	Rosetta \varnothing 22.3x42x0.5	3

POS.	CODE CODICE	DESCRIPTION DESCRIZIONE	N. PCS.
34	99.3636.00	Vite M10x16 UNI 5739	8
35	68.1500.74	Coperchio carter	2
36	69.2115.51	Distanziale	1
37	90.1672.00	Anello radiale \varnothing 35x52x8	KIT 32 1
38	90.4131.00	OR \varnothing 73,03x3,53	2
39	91.8480.00	Cuscinetto a sfere 6307	2
40	47.2000.74	Piedino	2
41	90.9162.00	Boccola \varnothing 32x36x40	3
42	96.7106.00	Rosetta \varnothing 10 DIN 7980	4
43	99.3644.00	Vite M10x18 UNI 5931	4
44	98.2265.00	Tappo G 3/4x16	1
45	96.7700.00	Rosetta \varnothing 26,5x32x1,5	1
46	96.7380.00	Rosetta \varnothing 17,5x23x1,5	1
47	69.1200.22	Testata pompa All./Nickel	1
48	90.3885.00	OR \varnothing 45,69x2,62	KIT 40-39 3
49	69.0802.70	Anello di fondo \varnothing 36	KIT 40-39 3
50	90.2820.00	Anello tenuta \varnothing 36 H.P. seal	KIT 38-39 3
51	69.1002.93	Anello di testa \varnothing 36	KIT 41-39 3
52	69.2168.70	Anello intermedio \varnothing 36	KIT 42-39 3
53	91.4969.00	Linguetta	1
54	90.0695.00	Anello fermo albero	1
55	69.2116.51	Distanziale	1
56	90.2823.00	Anello tenuta \varnothing 36 L.P. seal	KIT 38-39 3